

Hydraulic Operated Bit Basket System for PV-270 series

Improves safety while handling drill bits on deck

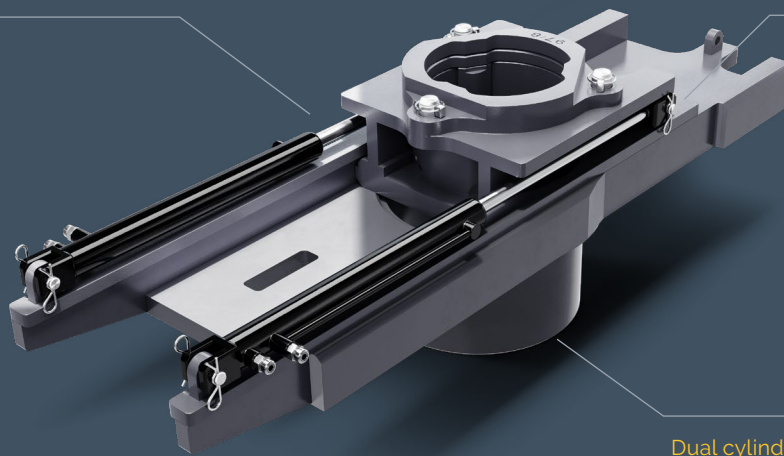


Hydraulic Operated Bit Basket System

Epiroc's solution to improve operator safety when handling drill bits on deck. The Hydraulic Operated Bit Basket System (HOBBS) for Pit Viper PV-270 series, removes the operator from being in the 'line of fire' risk when changing a drill bit on deck.

Reduced profile and less shielding requirements with more streamline base

Fewer moving parts and components to maintain; giving greater reliability and longevity



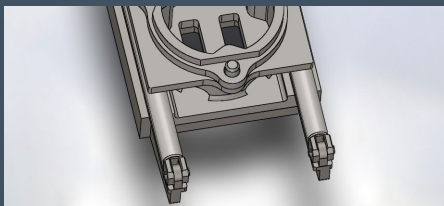
Dual cylinder arrangement fully retractable; with increased protection in both the parked and 'in-use' position

+ Main benefits

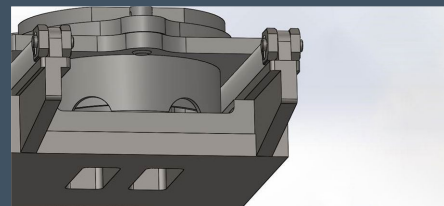
Fully operational from the cabin.

Operator does not have to install the bit basket.

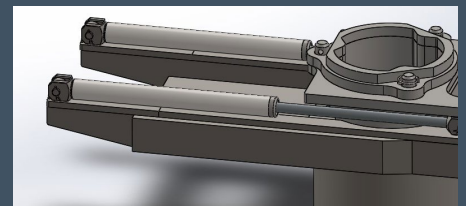
No 'line-of-fire' exposure for the operator or working under a rotary head when changing the bit.



Improved 'wash-ability' via slotted ports in the base. Forward facing drain ports in the bit basket.



Additional drain holes in the breakout base to reduce cuttings and fines buildup.



Upgraded basket insert to improve protection of the locating pins.

Technical specifications

HOBBS

HOBBS uses a dual cylinder sliding base to move the detached bit, out from under the rotation head in one automated movement performed within the cabin; once the new bit is placed into the bit basket, HOBBS will slide it back in line for reattachment to the drill rod, ready to recommence the drilling function. Fully compatible with the

Safe Automated Bush Lifting (SABL) system, the deck bush is lifted clear allowing the breakout, detachment and safe presentation of the bit for replacement when using non Epiroc drill bit after operator intervention.

Part number	Description
2659 6175 20	The HOBBS kit without bit basket or deck bushing
Bit baskets – sold separately (select size)	
2659 6173 97	Tricone 9 7/8"
2659 6190 03	Tricone 9"
2659 6190 04	Tricone 10 5/8"
2659 6190 18	Tricone 8"
2659 6249 34	DHD 8"
2659 6249 35	DHD 9"
2659 6249 36	DHD 9 3/4"
Roller deck bushing – sold separately (select size)	
2659 6190 25	5 1/2"
2659 6190 27	6 1/4"
2659 6190 29	6 1/2"
2659 6190 28	7"
2659 6190 20	7 5/8"
2659 6196 26	8"
2659 6190 30	8 5/8"
2659 6190 31	9 1/4"

Remark

If using an Epiroc bit and the HOBBS deck bushing, when the bit is pulled up through the deck, lifts the deck bushing and the bit is placed in the bit basket, the breakout wrench will clear over the deck bushing

- If the bit is not an Epiroc bit and the bit being used has a higher connection shoulder, it may not clear.
- There is a potential for reduced deck bushing life due to the HOBBS deck bushing being more shallow.

The solution for the issues listed above are the same.

- If the bit is taller and the deck bushing does not clear the breakout wrench, use a larger diameter bit sub / crossover sub (i.e. SABL) to lift the deck bushing above the breakout wrench.
- If the deck bushing wear rate is not acceptable, use a full size standard deck bushing and use a larger diameter bit sub / crossover sub to lift the deck bushing above the breakout wrench.

United in performance. Inspired by innovation.

Performance unites us, innovation inspires us, and commitment drives us to keep moving forward. Count on Epiroc to deliver the solutions you need to succeed today and the technology to lead tomorrow.
epiroc.com

