

Mounting groups hydraulic attachments

 Epiroc



Table of contents – sorted by mounting groups

| Mounting group | Hydraulic breakers | | Drum cutters | | | | | | Combi cutters | Concrete busters | | |
|----------------|----------------------|--------------------|--------------|----------------------|----------------------|-----------------------|------------------------|------------------------|-----------------------|----------------------|----------------------|---------|
| | Premium | Essential | VC | DC ¹ | ER | ERC | ER-L | ADU | CC | CB | | |
| | SB/MB/ HB | ES/EC | | | | | | | | | | |
| 1 | SB 52 | | | | | | | | | | | |
| 2 | SB 102 | | | | | | | | | | | |
| 3 | SB 152 | | | DC 200 ¹ | | | | | CC 350 ¹ | CB 350 | | |
| | SBU 160 ¹ | | | | | | | | | | | |
| 4 | SB 202 | ES 60 ¹ | | | ER 40 ^{3,4} | | | | | | | |
| | SBU 220 | | | | | ER 50 ² | | | | | | |
| | | | | | | | ER 100 ² | | | | | |
| 5 | SB 302 | ES 70 ¹ | | DC 400 ¹ | | | | | | | | |
| | SBU 340 | | | | | | | | | | | |
| 6 | SB 452 | ES 80 ¹ | | | | | | | | | | |
| | SB 552 | | | | | | | | | | | |
| 7 | SB 702 | | | | | | | | | | | |
| 8 | MB 500 ¹ | EC 90 | | DC 600 ¹ | ER 250 | | ER 250 L | ADU 250 | CC 650 ¹ | CB 750 | | |
| | MB 700 ¹ | | | | | | | | | | ER 400 L | ADU 450 |
| | MB 750 | | | | | | | | | | | |
| | MB 800 ¹ | EC 100 | | DC 1000 ¹ | ER 600 | | ER 450 L | ADU 600 | CC 950 ¹ | CB 950 | | |
| | MB 1000 | | | | | | | | | | | |
| 9 | MB 1200 | EC 120 | VC 1400 | DC 1200 ¹ | ER 650 | ERC 250 | ER 1500 L ² | ADU 1500 ² | CC 1600 | CB 2500 | | |
| | MB 1500 | | | | | | | | | | | |
| | MB 1600 ¹ | EC 135 | | | | ER 1500 ² | ERC 600 | ER 2000 L ² | ADU 2000 ² | | CC 1700 ¹ | |
| | MB 1650 | EC 140 | VC 2000 | | | | | | | | | CC 2300 |
| | MB 1700 ¹ | | | | | | | | | | | |
| 10 | HB 2000 | EC 150 | VC 2000 | DC 2000 ¹ | ER 1500 ² | ERC 650 ² | ER 1500 L ² | ADU 1500 ² | CC 2500 ¹ | | | |
| | HB 2200 ¹ | | | DC 2100 ¹ | ER 1700 ² | ERC 1500 ² | | | | | | |
| | HB 2500 | EC 155 | VC 3000 | DC 2900 ¹ | ER 2000 ² | ERC 1700 ² | ER 2000 L ² | ADU 2000 ² | CC 3100 | | | |
| | | | | | ER 3000 ² | ERC 2000 ² | | | | ERC 3000 | | |
| 11 | HB 3100 | EC 165 | | | | | | | CC 3700 | CB 4500 | | |
| | HB 3600 | | | | | | | CC 4700 ¹ | | | | |
| | HB 4100 | EC 180 | | | | | | | CC 5000 | CB 5500 ¹ | | |
| | HB 4700 | | | | | | | | | | | |

¹ Phased-out models

² 2 combined bolt hole patterns

³ Only with sandwich plate

⁴ Non-standard hole pattern

| | Demolition pulverizers | Bulk pulverizers | Hydro magnets | Hydraulic compactors | Bucket crushers | Bucket screeners | Multi grapples | Steel cutters | Page |
|--|--|--------------------|--------------------|--|---|------------------|-------------------------------|--------------------|------|
| | DP | BP | HM | HC | BC | BS | MG | SC | |
| | | | | | | | MG 100 | | 10 |
| | | | | HC 150 ² | | | | | 11 |
| | | | | | | | MG 200 MG 300 | | 12 |
| | | | | HC 350 ² HC 450 ² | | | | | 13 |
| | | | | | | | MG 400 MG 500 | | 14 |
| | | | | | | | | | 15 |
| | | | | | | | | | 16 |
| | | | | HC 850 | BC 2100 | | MG 800 | | 17 |
| | DP 1820 DP 2000 ¹ DP 2320 | BP 1650 BP 2050 | HM 1500 HM 2000 | HC 1050 HC 1055 ¹ | BC 1500 ¹ BC 2250 ¹ BC 2500 | BS 1600 | MG 1000 MG 1500 MG 1800 | | 18 |
| | DP 2800 ¹ DP 3220 | BP 3050 | | | BC 3500 ¹ BC 3700 BC 4900 ¹ | BS 2200 | MG 2300 MG 2700 MG 3000 | SC 2500 | 19 |
| | DP 4220 | BP 4050 | | | BC 5300 | | | SC 3600 SC 4500 | 20 |

Table of contents – sorted by mounting groups

| Mounting group | Hydraulic breakers | | Drum cutters | | | | | | Combi cutters | Concrete busters |
|----------------|----------------------|---------------------|--------------|-----------------|------------------------|---------|----------|----------|----------------------|------------------|
| | Premium | Essential | VC | DC ¹ | ER | ERC | ER-L | ADU | CC | CB |
| | SB/MB/ HB | ES/EC | | | | | | | | |
| 12 | HB 3000 ¹ | | | | | | | | CC 3300 ¹ | |
| | HB 4200 ¹ | | | | | | | | | |
| 13 | HB 5800 | | | | | | | | | |
| 14 | HB 7000 | | | | ER 4000 | | | | CC 6000 ¹ | CB 7500 |
| | | | | | ER 5500 ^{3,4} | | | | CC 7000 | |
| 15 | HB 10000 | | | | | | | | | |
| 16 | | EC 40 | | | | | | | | |
| | | EC 50 | | | | | | | | |
| | | PB 110 ¹ | | | | | | | | |
| | | PB 160 ¹ | | | | | | | | |
| 17 | | EC 60 | | | ER 50 ² | ERC 50 | ER 100 L | ADU 100 | | |
| | | EC 70 | | | | | | | | |
| | | EC 80 | | | | | | | | |
| | | PB 210 ¹ | | | ER 100 ² | ERC 100 | | | | |
| | | PB 310 ¹ | | | | | | | | |
| | | PB 420 ¹ | | | | | | | | |
| | | | | | | | | | | |
| 18 | SB 1102 | | | | | | | | | |
| 19 | | | | | | | | | | |
| 20 | | | | | | | | | | |
| 21 | | | | | | | ERL 700 | ERL 700 | | |
| | | | | | | | ERL 1100 | ERL 1100 | | |
| 22 | | | | | | | | | | |
| 23 | | | | | | | | | | |
| 24 | | | | | | | | | | |
| 25 | | | | | | | | | | |
| 26 | | | | | | | | | | |
| 27 | | | | | | | | | | |
| 28 | | | | | | | | | | |
| 29 | | | | | | | | | | |

¹ Phased-out models

² 2 combined bolt hole patterns

³ Up from 06/2021

⁴ Currently non-standard hole pattern

| | Demolition pulverizers | Bulk pulverizers | Hydro magnets | Hydraulic compactors | Bucket crushers | Bucket screeners | Multi grapples | Steel cutters | Page |
|--|------------------------|------------------|---------------|----------------------|-----------------|------------------|----------------|---------------|------|
| | DP | BP | HM | HC | BC | BS | MG | SC | |
| | | | | | | | | | 21 |
| | | | | | | | | | 22 |
| | | | | | | | MG 5000 | SC 6200 | 23 |
| | | | | | | | | SC 8300 | 24 |
| | | | | HC 150 ² | | | | | 25 |
| | | | | HC 350 ² | | | | | 26 |
| | | | | HC 450 ² | | | | | |
| | | | | | | | | | 27 |
| | | | | | | | | SC 270 | 28 |
| | | | | | | | | SC 600 | 29 |
| | | | | | | | | | 30 |
| | | | | | BS 2500 | BS 1600 | | | 31 |
| | | | | | BC 3700 | BS 2200 | | | 32 |
| | | | | | | | MG 400 NR | | 33 |
| | | | | | | | MG 500 NR | | |
| | | | | | | | MG 800 NR | | 34 |
| | | | | | | | MG 1000 NR | | 35 |
| | | | | | | | MG 1500 NR | | 36 |
| | | | | | BC 2100 | | | | 37 |
| | | | | | BC 5300 | | | | 38 |

Table of contents – sorted by hydraulic attachment tools

| Type | Mounting group | Page |
|------|----------------|------|
|------|----------------|------|

Hydraulic breakers

| | | | |
|----------------------|----------------------|----|----|
| SB | SB 52 | 1 | 10 |
| | SB 102 | 2 | 11 |
| | SB 152 | 3 | 12 |
| | SB 202 | 4 | 13 |
| | SB 302 | 5 | 14 |
| | SB 452 | 6 | 15 |
| | SB 552 | 6 | 15 |
| | SB 702 | 7 | 16 |
| | SB 1102 | 18 | 27 |
| SBU | SBU 160 | 3 | 12 |
| | SBU 220 | 4 | 13 |
| | SBU 340 | 5 | 14 |
| MB | MB 500 ¹ | 8 | 17 |
| | MB 700 ¹ | 8 | 17 |
| | MB 750 | 8 | 17 |
| | MB 800 ¹ | 8 | 17 |
| | MB 1000 | 8 | 17 |
| | MB 1200 | 9 | 18 |
| | MB 1500 | 9 | 18 |
| | MB 1600 ¹ | 9 | 18 |
| | MB 1650 | 9 | 18 |
| MB 1700 ¹ | 9 | 18 | |
| HB | HB 2000 | 10 | 19 |
| | HB 2200 ¹ | 10 | 19 |
| | HB 2500 | 10 | 19 |
| | HB 3000 ¹ | 12 | 21 |
| | HB 3100 | 11 | 20 |
| | HB 3600 | 11 | 20 |
| | HB 4100 | 11 | 20 |
| | HB 4200 ¹ | 12 | 21 |
| | HB 4700 | 11 | 20 |
| | HB 5800 | 13 | 22 |
| | HB 7000 | 14 | 23 |
| | HB 10000 | 15 | 24 |

| Type | Mounting group | Page |
|------|----------------|------|
|------|----------------|------|

Hydraulic breakers

| | | | |
|---------------------|--------------------|---------------------|----|
| ES | ES 60 ¹ | 4 | 13 |
| | ES 70 ¹ | 5 | 14 |
| | ES 80 ¹ | 6 | 15 |
| EC | EC 40 | 16 | 25 |
| | EC 50 | 16 | 25 |
| | EC 60 | 17 | 26 |
| | EC 70 | 17 | 26 |
| | EC 80 | 17 | 26 |
| | EC 90 | 8 | 17 |
| | EC 100 | 8 | 17 |
| | EC 120 | 9 | 18 |
| | EC 135 | 9 | 18 |
| | EC 140 | 9 | 18 |
| | EC 150 | 10 | 19 |
| | EC 155 | 10 | 19 |
| | EC 165 | 11 | 20 |
| | EC 180 | 11 | 20 |
| | PB | PB 110 ¹ | 16 |
| PB 160 ¹ | | 16 | 25 |
| PB 210 ¹ | | 17 | 26 |
| PB 310 ¹ | | 17 | 26 |
| PB 420 ¹ | | 17 | 26 |

¹ Phased-out models

| Type | Mounting group | Page |
|------|----------------|------|
|------|----------------|------|

Drum cutters

| VC | VC 1400 | 9 | 18 |
|----|---------|------|-------|
| | VC 2000 | 9/10 | 18/19 |
| | VC 3000 | 10 | 19 |

| DC | DC 200 ¹ | 3 | 12 |
|----|----------------------|----|----|
| | DC 400 ¹ | 5 | 14 |
| | DC 600 ¹ | 8 | 17 |
| | DC 1000 ¹ | 8 | 17 |
| | DC 1200 ¹ | 9 | 18 |
| | DC 2000 ¹ | 10 | 19 |
| | DC 2100 ¹ | 10 | 19 |
| | DC 2900 ¹ | 10 | 19 |

| ER | ER 40 | 4 | 13 |
|----|---------|------|-------|
| | ER 50 | 4/17 | 13/26 |
| | ER 100 | 4/17 | 13/26 |
| | ER 250 | 8 | 17 |
| | ER 600 | 8 | 17 |
| | ER 650 | 9 | 18 |
| | ER 1500 | 9/10 | 18/19 |
| | ER 1700 | 9/10 | 18/19 |
| | ER 2000 | 10 | 18/19 |
| | ER 3000 | 10 | 18/19 |
| | ER 4000 | 14 | 23 |
| | ER 5500 | 14 | 23 |

| ERC | ERC 50 | 17 | 26 |
|-----|----------|------|-------|
| | ERC 100 | 17 | 26 |
| | ERC 250 | 9 | 17 |
| | ERC 600 | 9 | 18 |
| | ERC 650 | 9/10 | 18/19 |
| | ERC 1500 | 10 | 18/19 |
| | ERC 1700 | 10 | 18/19 |
| | ERC 2000 | 10 | 18/19 |
| | ERC 3000 | 10 | 18/19 |

| Type | Mounting group | Page |
|------|----------------|------|
|------|----------------|------|

Drum cutters

| ER-L | ER 100 L | 17 | 26 |
|------|-----------|------|-------|
| | ER 250 L | 8 | 17 |
| | ER 400 L | 8 | 17 |
| | ER 450 L | 8 | 17 |
| | ER 600 L | 8 | 17 |
| | ERL 700 | 21 | 30 |
| | ERL 1100 | 21 | 30 |
| | ER 1500 L | 9/10 | 18/19 |
| | ER 2000 L | 9/10 | 18/19 |

| ADU | ADU 100 | 17 | 26 |
|-----|----------|------|-------|
| | ADU 250 | 8 | 17 |
| | ADU 450 | 8 | 17 |
| | ADU 600 | 8 | 17 |
| | ERL 700 | 21 | 30 |
| | ERL 1100 | 21 | 30 |
| | ADU 1500 | 9/10 | 18/19 |
| | ADU 2000 | 9/10 | 18/19 |

Concrete busters

| CB | CB 350 | 3 | 12 |
|----|---------|----|----|
| | CB 750 | 8 | 17 |
| | CB 950 | 8 | 17 |
| | CB 2500 | 9 | 18 |
| | CB 4500 | 11 | 20 |
| | CB 5500 | 11 | 20 |
| | CB 7500 | 14 | 23 |

¹ Phased-out models

Table of contents – sorted by hydraulic attachment tools

| Type | Mounting group | Page |
|------|----------------|------|
|------|----------------|------|

Combi cutters

| Type | Mounting group | Page | |
|-----------|----------------------|------|----|
| CC | CC 350 ¹ | 3 | 12 |
| | CC 650 ¹ | 8 | 17 |
| | CC 950 ¹ | 8 | 17 |
| | CC 1600 | 9 | 18 |
| | CC 1700 ¹ | 9 | 18 |
| | CC 2300 | 9 | 18 |
| | CC 2500 ¹ | 10 | 19 |
| | CC 3100 | 10 | 19 |
| | CC 3300 ¹ | 12 | 21 |
| | CC 3700 | 11 | 20 |
| | CC 4700 ¹ | 11 | 20 |
| | CC 5000 | 11 | 20 |
| | CC 6000 ¹ | 14 | 23 |
| | CC 7000 | 14 | 23 |

Pulverizers

| Type | Mounting group | Page | |
|-----------|----------------------|------|----|
| DP | DP 1820 | 9 | 18 |
| | DP 2320 | 9 | 18 |
| | DP 3220 | 10 | 19 |
| | DP 4220 | 11 | 20 |
| | DP 2000 ¹ | 9 | 18 |
| | DP 2800 ¹ | 10 | 19 |
| BP | BP 1650 | 9 | 18 |
| | BP 2050 | 9 | 18 |
| | BP 3050 | 10 | 19 |
| | BP 4050 | 11 | 20 |

Hydro magnets

| Type | Mounting group | Page | |
|-----------|----------------|------|----|
| HM | HM 1500 | 9 | 18 |
| | HM 2000 | 9 | 18 |

| Type | Mounting group | Page |
|------|----------------|------|
|------|----------------|------|

Hydraulic compactors

| Type | Mounting group | Page | |
|-----------|----------------------|------|----|
| HC | HC 150 | 2 | 11 |
| | HC 150 | 16 | 25 |
| | HC 350 | 4 | 13 |
| | HC 350 | 17 | 26 |
| | HC 450 | 4 | 13 |
| | HC 450 | 17 | 26 |
| | HC 850 | 8 | 17 |
| | HC 1050 | 9 | 18 |
| | HC 1055 ¹ | 9 | 18 |

Bucket screener

| Type | Mounting group | Page | |
|-----------|----------------|-------|-------|
| BS | BS 1600 | 9/22 | 18/31 |
| | BS 2200 | 10/23 | 19/32 |

Bucket crushers

| Type | Mounting group | Page | |
|-----------|----------------------|------|----|
| BC | BC 1500 ¹ | 9 | 18 |
| | BC 2100 | 8 | 17 |
| | | 28 | 37 |
| | BC 2250 ¹ | 9 | 18 |
| | BC 2500 | 9 | 18 |
| | | 22 | 31 |
| | BC 3500 ¹ | 10 | 19 |
| | BC 3700 | 10 | 19 |
| | | 23 | 32 |
| | BC 4900 ¹ | 10 | 19 |
| | BC 5300 | 11 | 20 |
| | | 29 | 38 |

¹ Phased-out models

| Type | Mounting group | Page |
|------|----------------|------|
|------|----------------|------|

Multi grapples

| Type | Mounting group | Page | |
|-----------|----------------|------|----|
| MG | MG 100 | 1 | 10 |
| | MG 200 | 3 | 12 |
| | MG 300 | 3 | 12 |
| | MG 400 | 5 | 14 |
| | MG 400 NR | 24 | 33 |
| | MG 500 | 5 | 14 |
| | MG 500 NR | 24 | 33 |
| | MG 800 | 8 | 17 |
| | MG 800 NR | 25 | 34 |
| | MG 1000 | 9 | 18 |
| | MG 1000 NR | 26 | 35 |
| | MG 1500 | 9 | 18 |
| | MG 1500 NR | 27 | 36 |
| | MG 1800 | 9 | 18 |
| | MG 2300 | 10 | 19 |
| | MG 2700 | 10 | 19 |
| | MG 3000 | 10 | 19 |
| MG 5000 | 14 | 23 | |

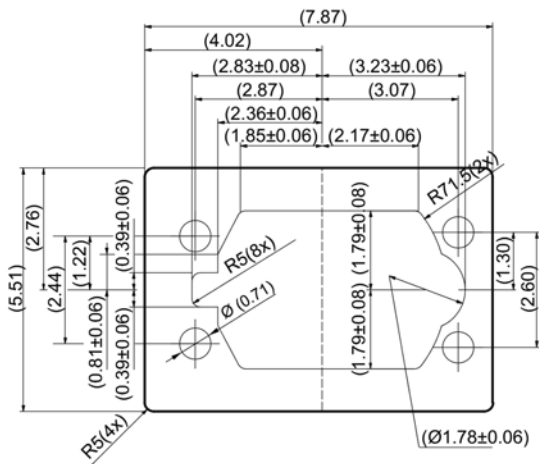
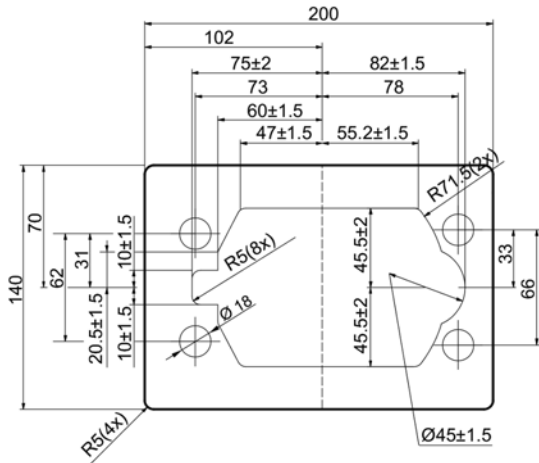
Steel cutters

| Type | Mounting group | Page | |
|-----------|----------------|------|----|
| SC | SC 270 | 19 | 28 |
| | SC 600 | 20 | 29 |
| | SC 2500 | 10 | 19 |
| | SC 3600 | 11 | 20 |
| | SC 4500 | 11 | 20 |
| | SC 6200 | 14 | 23 |
| | SC 8300 | 15 | 24 |

¹ Phased-out models

Mounting group 1

SB 52 · MG 100



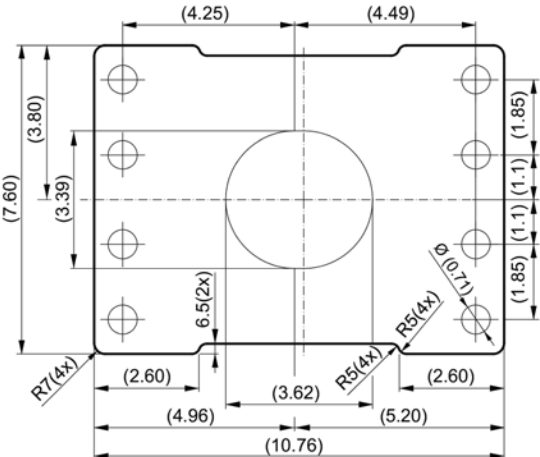
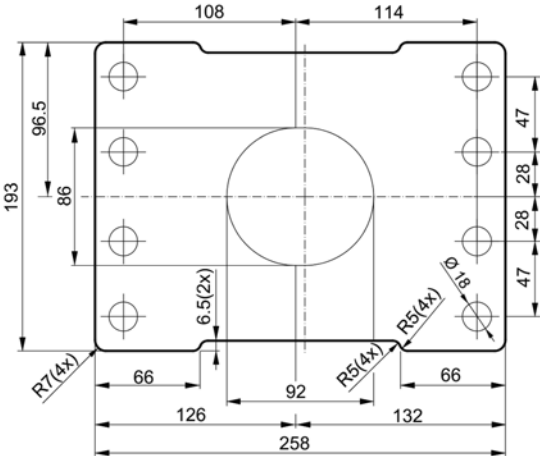
Thickness top plates

| Type | mm | inch |
|--------|------------|------|
| SB 52 | Blind bore | |
| MG 100 | 20 | 0.79 |



Mounting group 2

SB 102 · HC 150



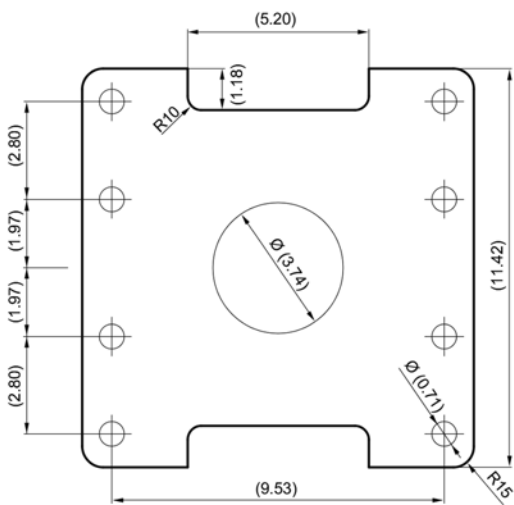
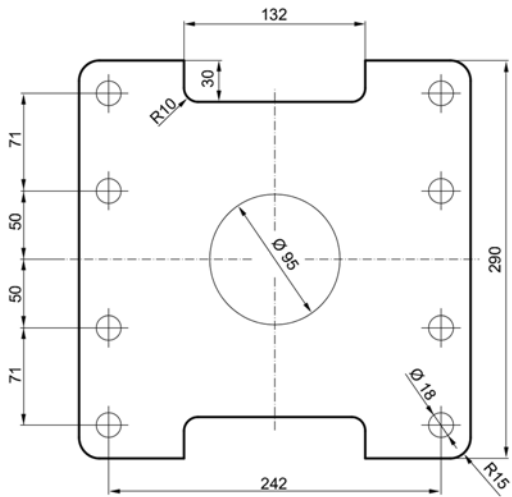
Thickness top plates

| Type | mm | inch |
|--------|----|------|
| SB 102 | 21 | 0.83 |
| HC 150 | 16 | 0.63 |



Mounting group 3

SB 152 · SBU 160 · CB 350 · MG 200/300



Thickness top plates

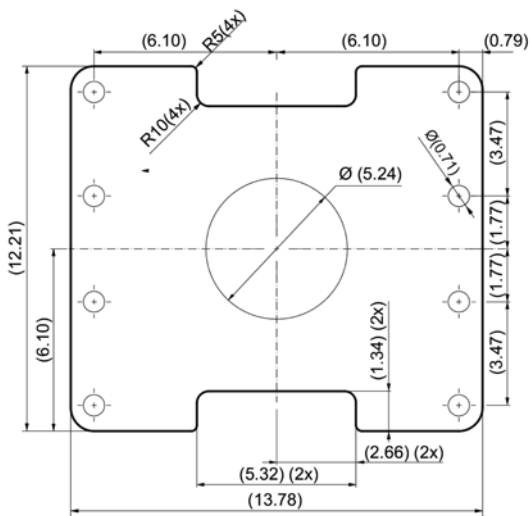
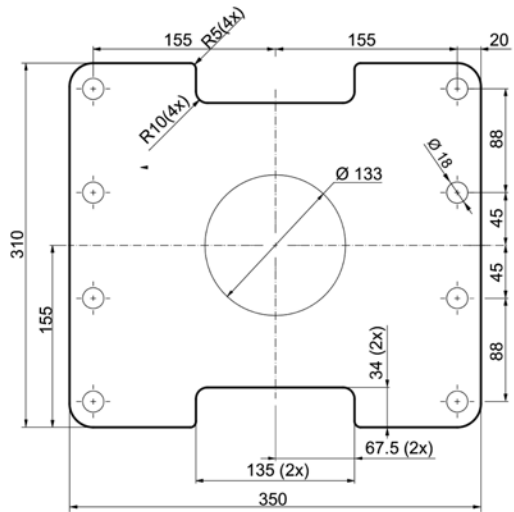
| Type | mm | inch |
|----------------------|-----|------|
| SB 152 | 24 | 0.95 |
| SBU 160 ¹ | 19 | 0.75 |
| DC 200 ¹ | 175 | 0.69 |
| CC 350 ¹ | 18 | 0.71 |
| CB 350 | 18 | 0.71 |
| MG 200 | 18 | 0.71 |
| MG 300 | 18 | 0.71 |

¹ Phased-out models



Mounting group 4

SB 202 · SBU 220 · ES 60 · ER 40/50/100 · HC 350/450



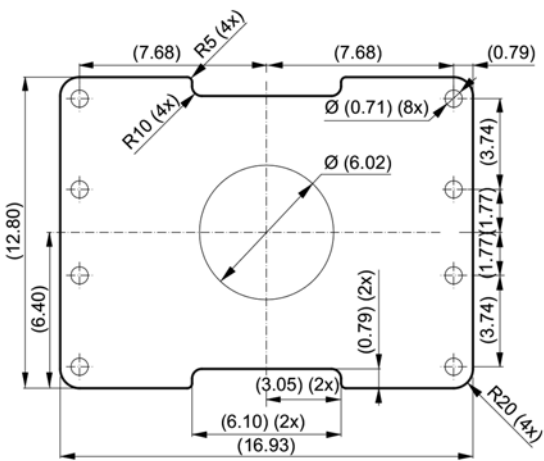
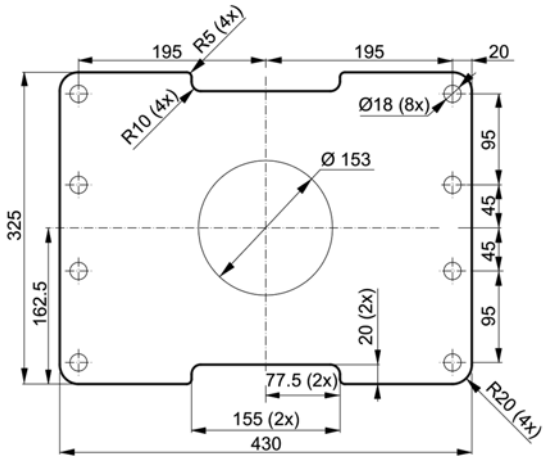
Thickness top plates

| Type | mm | inch |
|--------------------|--------------------------|------|
| SB 202 | 28 | 1.1 |
| SBU 220 | 28 | 1.1 |
| ES 60 ¹ | 28 | 1.1 |
| ER 40 | Only with sandwich plate | |
| ER 50 | 175 | 0.69 |
| ER 100 | 175 | 0.69 |
| HC 350 | 20 | 0.79 |
| HC 450 | 20 | 0.79 |



Mounting group 5

SB 302 · SBU 340 · ES 70 · MG 400/500



Thickness top plates

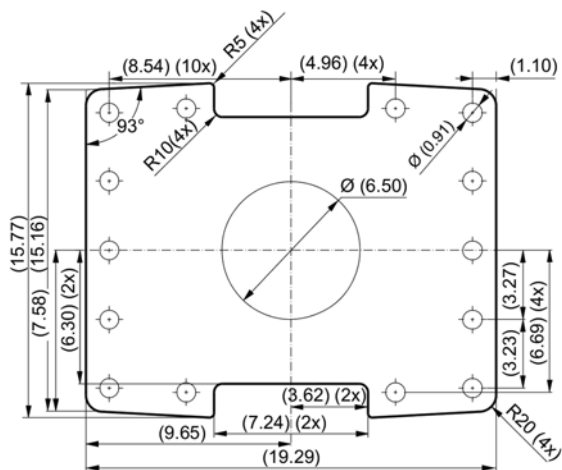
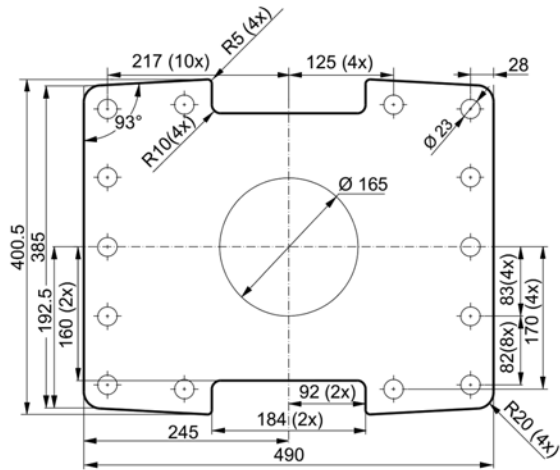
| Type | mm | inch |
|---------------------|-----|------|
| SB 302 | 30 | 1.18 |
| SBU 340 | 30 | 1.18 |
| ES 70 ¹ | 27 | 1.06 |
| DC 400 ¹ | 175 | 0.69 |
| MG 400 | 25 | 0.98 |
| MG 500 | 25 | 0.98 |

¹ Phased-out models



Mounting group 6

SB 452/552 · ES 80



Thickness top plates

| Type | mm | inch |
|--------------------|-----------------|------|
| SB 452 | 30 | 1.18 |
| SB 552 | 35 ¹ | 1.38 |
| SB 552 | 38 ² | 1.5 |
| ES 80 ¹ | 30 | 1.18 |

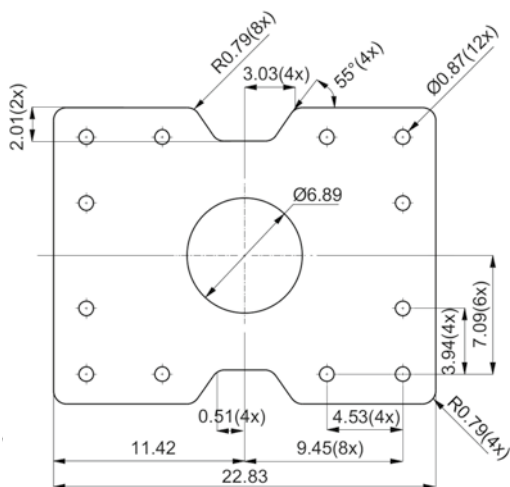
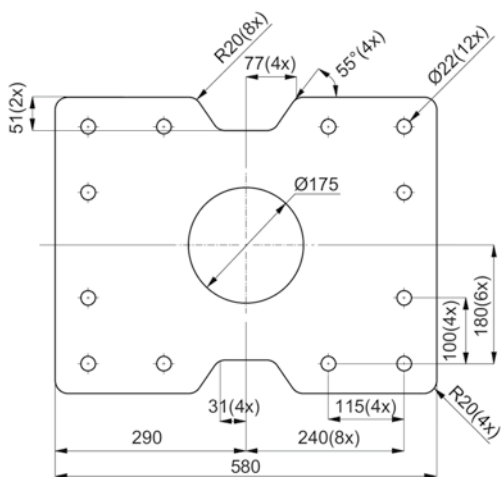
¹ 10 holes along the two edges

² 4 middle



Mounting group 7

SB 702



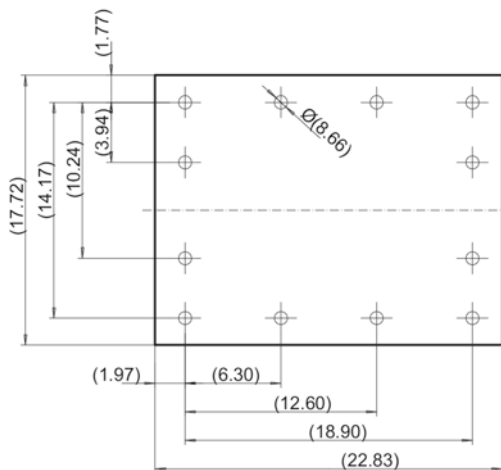
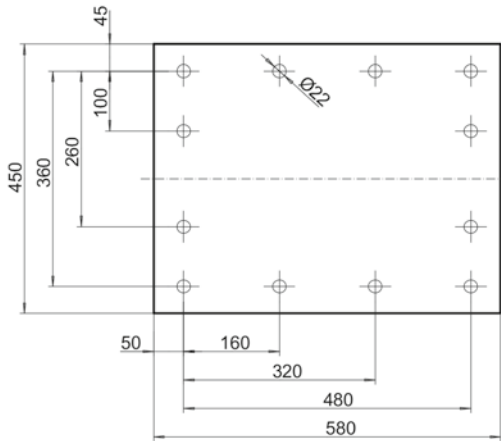
Thickness top plates

| Type | mm | inch |
|--------|----------------|------------------|
| SB 702 | 39 (8x) | 1.54 (8x) |
| SB 702 | 42 (inner, 4x) | 1.65 (inner, 4x) |



Mounting group 8

MB 750/1000 · EC 90/100 · ER 250/600 · ER 250/400/450/600 L ·
ADU 250/450/600 · CB 750/950 · HC 850 · BC 2100 · MG 800



Thickness top plates

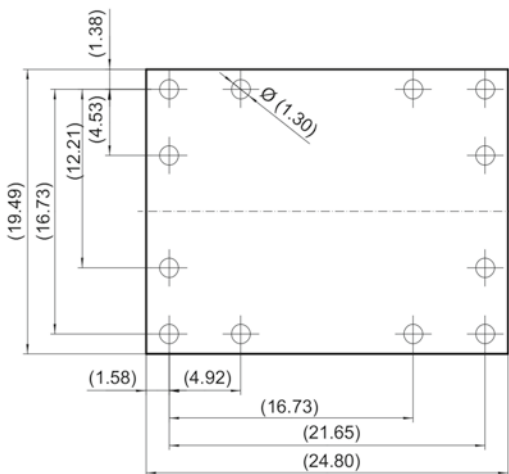
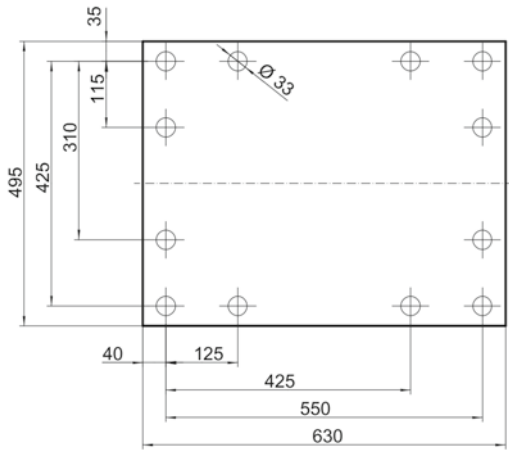
| Type | mm | inch |
|----------------------|------|------|
| MB 500 ¹ | 25 | 0.98 |
| MB 700 ¹ | 25 | 0.98 |
| MB 750 | 25 | 0.98 |
| MB 800 ¹ | 25 | 0.98 |
| MB 1000 | 25 | 0.98 |
| EC 90 | 25 | 0.98 |
| EC 100 | 47 | 1.85 |
| DC 600 ¹ | 22.5 | 0.89 |
| DC 1000 ¹ | 22.5 | 0.89 |
| ER 250 | 22.5 | 0.89 |
| ER 600 | 22.5 | 0.89 |
| ER 250 L | 27.5 | 1.08 |
| ER 400 L | 27.5 | 1.08 |
| ER 450 L | 27.5 | 1.08 |
| ER 600 L | 27.5 | 1.08 |
| ADU 250 | 27.5 | 1.08 |
| ADU 450 | 27.5 | 1.08 |
| ADU 600 | 27.5 | 1.08 |
| CC 650 ¹ | 24 | 0.95 |
| CC 950 ¹ | 24 | 0.95 |
| CB 750 | 24 | 0.95 |
| CB 950 | 24 | 0.95 |
| HC 850 | 25 | 0.98 |
| BC 2100 | 25 | 0.98 |
| MG 800 | 24 | 0.95 |

¹ Phased-out models



Mounting group 9

MB 1200/1500/1650 · EC 120/135/140 · VC 1400/2000 · ER 650/1500/1700 · ERC 250/600/ ERC 650 · ER 1500/2000 L · ADU 1500/2000 · CC 1600/2300 · CB 2500 · DP 1820/2320/2000 · BP 1650/2050 · HM 1500/2000 · HC 1050 · BC 2500 · BS 1600 · MG 1000/1500/1800



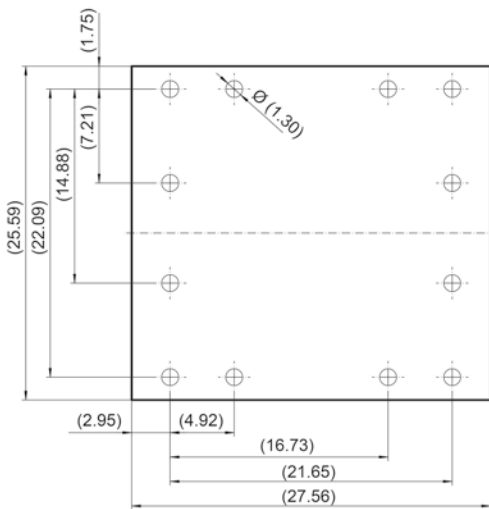
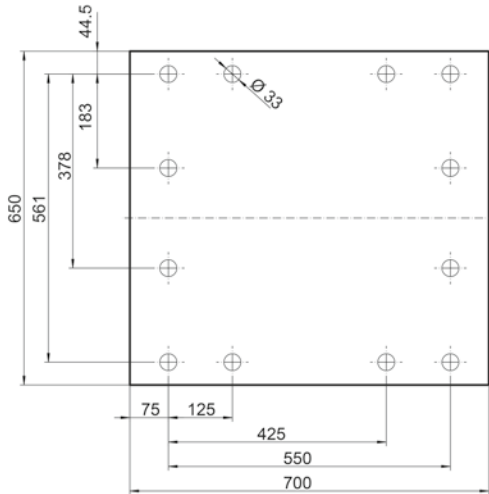
Thickness top plates

| Type | mm | inch |
|----------------------|------------------------------|------|
| MB 1200 | 47 | 1.85 |
| MB 1500 | 47 | 1.85 |
| MB 1600 ¹ | 30 | 1.18 |
| MB 1650 | 47 | 1.85 |
| MB 1700 ¹ | 47 | 1.84 |
| EC 120 | 47 | 1.85 |
| EC 135 | 47 | 1.85 |
| EC 140 | 47 | 1.85 |
| VC 1400 | 27.5 | 1.08 |
| VC 2000 | 37 | 1.46 |
| DC 1200 ¹ | 27.5 | 1.08 |
| ER 650 | 27.5 | 1.08 |
| ER 1500 | 37 | 1.46 |
| ER 1700 | 37 | 1.46 |
| ERC 250 | 28 | 1.10 |
| ERC 600 | 28 | 1.10 |
| ERC 250 | 28 | 1.10 |
| ERC 600 | 28 | 1.10 |
| ERC 650 | 37 | 1.46 |
| ER 1500 L | 37 | 1.46 |
| ER 2000 L | 37 | 1.46 |
| ADU 1500 | 37 | 1.46 |
| ADU 2000 | 37 | 1.46 |
| CC 1600 | 30 | 1.18 |
| CC 1700 ¹ | 30 | 1.18 |
| CC 2300 | 30 | 1.18 |
| CB 2500 | 20 | 0.79 |
| DP 1820 | 30 | 1.18 |
| DP 2320 | 30 | 1.18 |
| DP 2000 ¹ | 30 | 1.18 |
| BP 1650 | 30 | 1.18 |
| BP 2050 | 30 | 1.18 |
| HM 1500 | 30 | 1.18 |
| HM 2000 | 30 | 1.18 |
| HC 1050 | 30 | 1.18 |
| HC 1055 ¹ | 30 | 1.18 |
| BC 1500 ¹ | 30 | 1.18 |
| BC 2250 ¹ | 30 | 1.18 |
| BC 2500 | 30 | 1.18 |
| BS 1600 | Not necessary (inner thread) | |
| MG 1000 | 25 | 0.98 |
| MG 1500 | 30 | 1.18 |
| MG 1800 | 30 | 1.18 |



Mounting group 10

HB 2000/2500 · EC 150/155 · VC 2000/3000 · ER 1500/1700/2000/3000 ·
 ERC 650/1500/1700/2000/3000 · ER 1500/2000 L · ADU 1500/2000 ·
 CC 3100 · DP 3220/2800 · BP 3050 · BC 3700 · BS 2200 ·
 MG 2300/2700/3000 · SC 2500



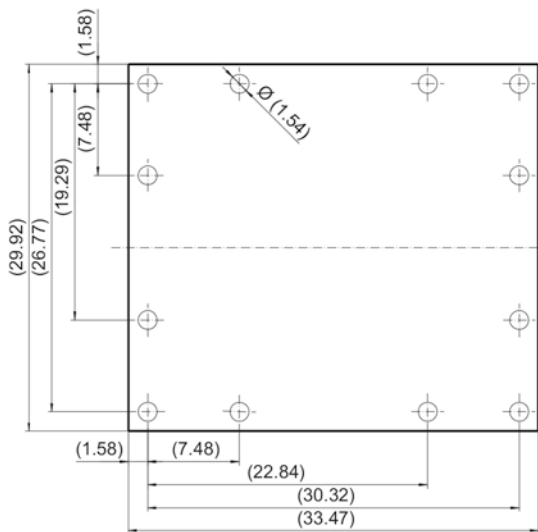
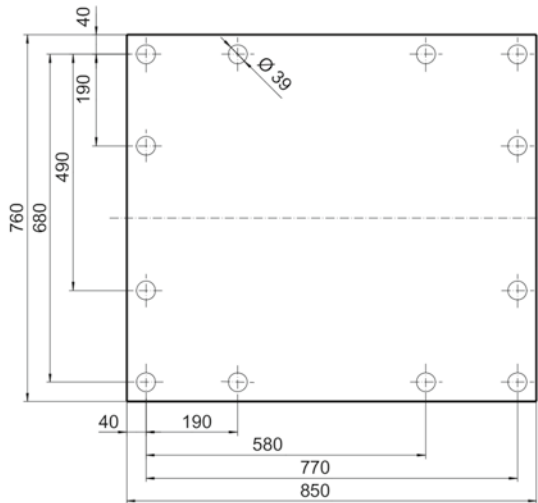
Thickness top plates

| Type | mm | inch |
|----------------------|------------------------------|------|
| HB 2000 | 47 | 1.85 |
| HB 2200 ¹ | 47 | 1.85 |
| HB 2500 | 47 | 1.85 |
| EC 150 | 47 | 1.85 |
| EC 155 | 47 | 1.85 |
| VC 2000 | 37 | 1.46 |
| VC 3000 | 37 | 1.46 |
| DC 2000 ¹ | 37.5 | 1.48 |
| DC 2100 ¹ | 37.5 | 1.48 |
| DC 2900 ¹ | 37.5 | 1.48 |
| ER 1500 | 37 | 1.46 |
| ER 1700 | 37 | 1.46 |
| ER 2000 | 37 | 1.46 |
| ER 3000 | 37 | 1.46 |
| ERC 650 | 37 | 1.46 |
| ERC 1500 | 37 | 1.46 |
| ERC 1700 | 37 | 1.46 |
| ERC 2000 | 37 | 1.46 |
| ERC 3000 | 37.5 | 1.48 |
| ER 1500 L | 37 | 1.46 |
| ER 2000 L | 37 | 1.46 |
| ADU 1500 | 37 | 1.46 |
| ADU 2000 | 37 | 1.46 |
| CC 2500 ¹ | 30 | 1.18 |
| CC 3100 | 30 | 1.18 |
| DP 3220 | 30 | 1.18 |
| DP 2800 ¹ | 30 | 1.18 |
| BP 3050 | 30 | 1.18 |
| BC 3500 ¹ | 30 | 1.18 |
| BC 3700 | 30 | 1.18 |
| BC 4900 ¹ | 30 | 1.18 |
| BS 2200 | Not necessary (inner thread) | |
| MG 2300 | 30 | 1.18 |
| MG 2700 | 30 | 1.18 |
| MG 3000 | 30 | 1.18 |
| SC 2500 | 33 | 1.3 |

¹ Phased-out models

Mounting group 11

HB 3100/3600/4100/4700 · EC 165/180 · CC 3700/5000 · CB 4500/5500 · DP 4220 · BP 4050 · BC 5300 · SC 3600/4500



Thickness top plates

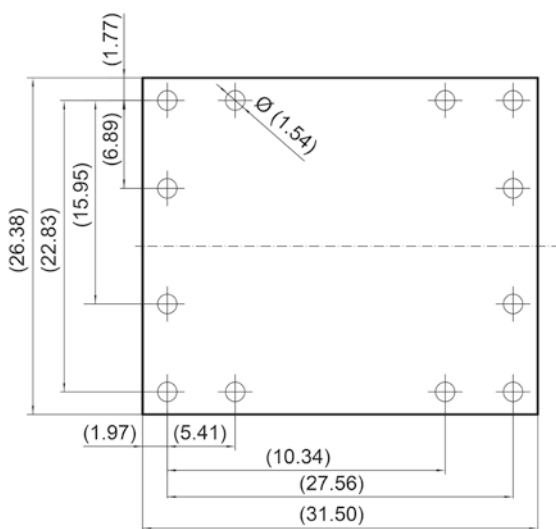
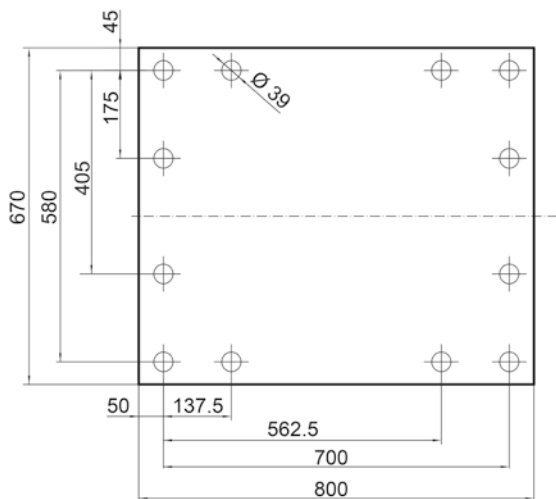
| Type | mm | inch |
|----------------------|----|------|
| HB 3100 | 50 | 1.97 |
| HB 3600 | 50 | 1.97 |
| HB 4100 | 50 | 1.97 |
| HB 4700 | 50 | 1.97 |
| EC 165 | 50 | 1.97 |
| EC 180 | 50 | 1.97 |
| CC 3700 | 30 | 1.18 |
| CC 4700 ¹ | 35 | 1.38 |
| CC 5000 | 25 | 0.98 |
| CB 4500 | 25 | 0.98 |
| CB 5500 | 25 | 0.98 |
| DP 4220 | 25 | 0.98 |
| BP 4050 | 25 | 0.98 |
| BC 5300 | 40 | 1.58 |
| SC 3600 | 38 | 1.5 |
| SC 4500 | 38 | 1.5 |

¹ Phased-out models



Mounting group 12

HB 3000/4200 · CC 3300



Thickness top plates

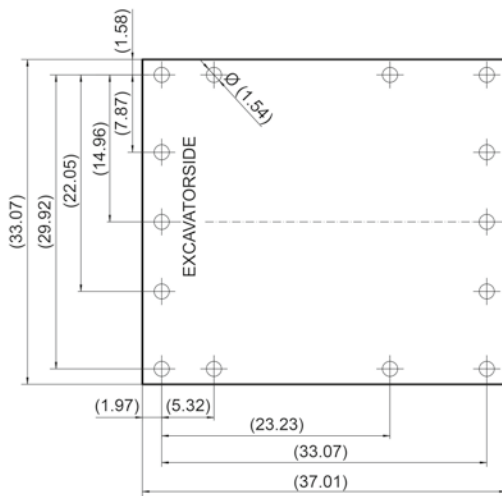
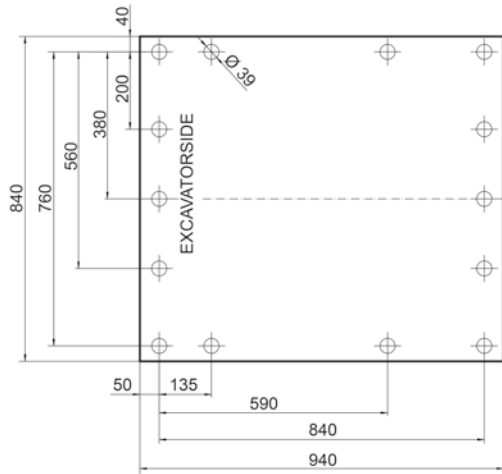
| Type | mm | inch |
|----------------------|----|------|
| HB 3000 ¹ | 50 | 1.97 |
| HB 4200 ¹ | 50 | 1.97 |
| CC 3300 ¹ | 30 | 1.18 |

¹ Phased-out models



Mounting group 13

HB 5800



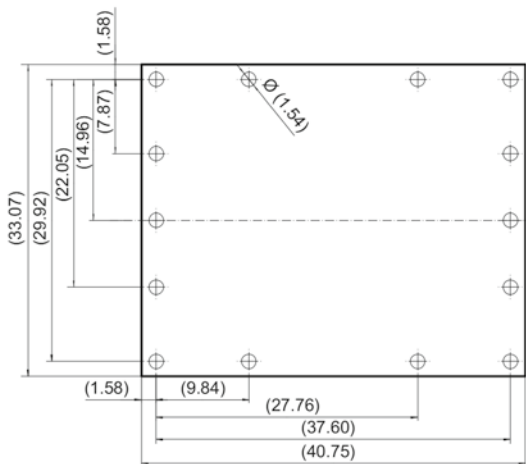
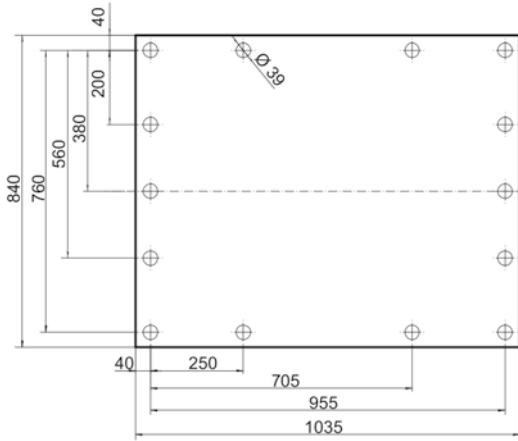
Thickness top plates

| Type | mm | inch |
|---------|----|------|
| HB 5800 | 50 | 1.97 |



Mounting group 14

HB 7000 · ER 4000/5500 · CC 7000 · CB 7500 · MG 5000 · SC 6200



Thickness top plates

| Type | mm | inch |
|----------------------|----|------|
| HB 7000 | 50 | 1.97 |
| ER 4000 | 47 | 1.85 |
| ER 5500 ¹ | 47 | 1.85 |
| CC 6000 ² | 35 | 1.38 |
| CC 7000 | 30 | 1.18 |
| CB 7500 | 30 | 1.18 |
| MG 5000 | 35 | 1.38 |
| SC 6200 | 38 | 1.5 |

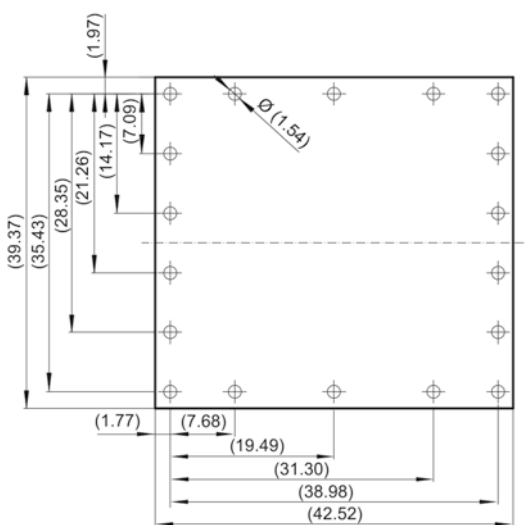
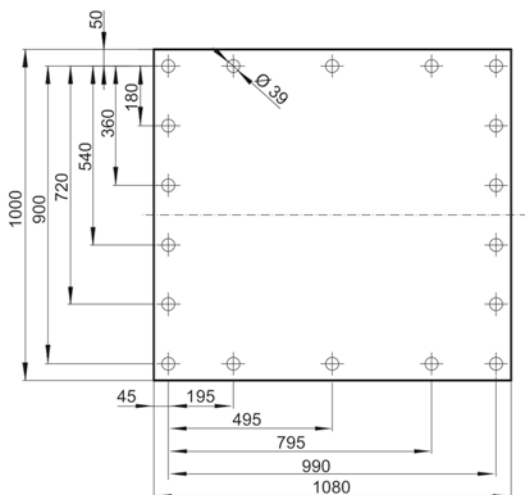
¹ Up from 6/2021, as of SN DGR555490

² Phased-out models



Mounting group 15

HB 10000 · SC 8300



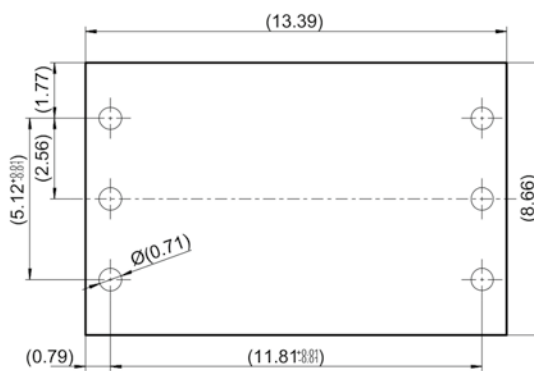
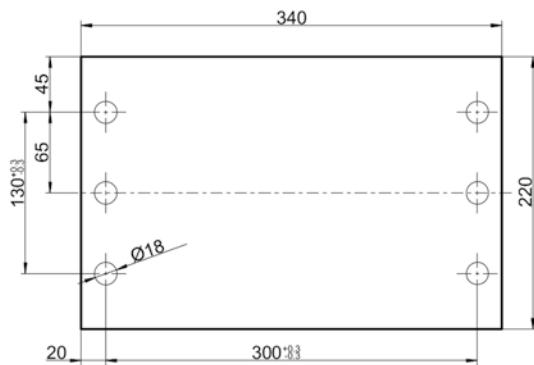
Thickness top plates

| Type | mm | inch |
|----------|----|------|
| HB 10000 | 50 | 1.97 |
| SC 8300 | 48 | 1.89 |



Mounting group 16

EC 40/50 · HC 150



Thickness top plates

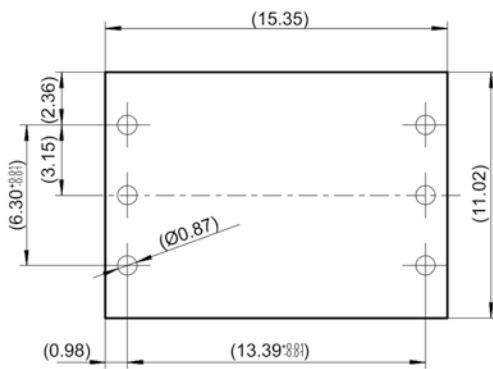
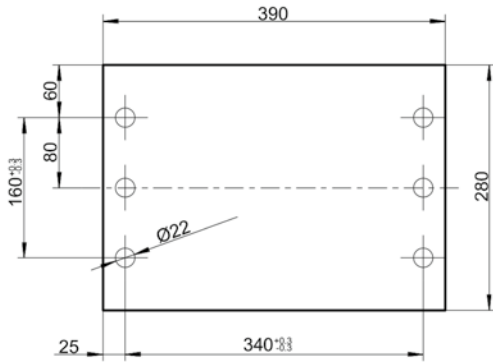
| Type | mm | inch |
|---------------------|----|------|
| EC 40 | 15 | 0.59 |
| EC 50 | 15 | 0.59 |
| PB 110 ¹ | 15 | 0.59 |
| PB 160 ¹ | 15 | 0.59 |
| HC 150 | 16 | 0.63 |

¹ Phased-out models



Mounting group 17

EC 60/70/80 · ER 50/100 · ERC 50/100 · ER 100 L · ADU 100 · HC 350/450



Thickness top plates

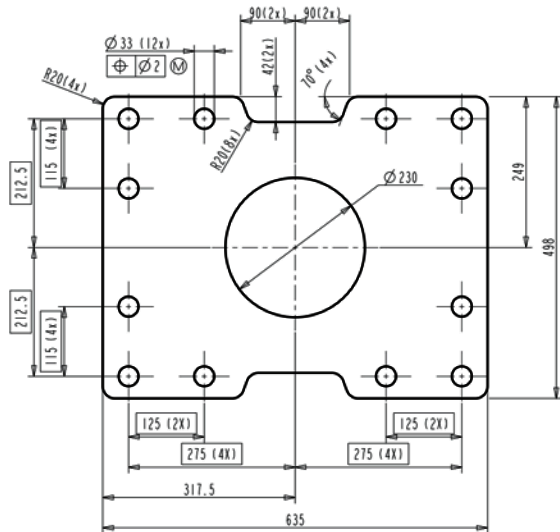
| Type | mm | inch |
|---------------------|-----|------|
| EC 60 | 20 | 0.79 |
| EC 70 | 25 | 0.98 |
| EC 80 | 25 | 0.98 |
| PB 210 ¹ | 20 | 0.79 |
| PB 310 ¹ | 25 | 0.98 |
| PB 420 ¹ | 25 | 0.98 |
| ER 50 | 175 | 0.69 |
| ER 100 | 175 | 0.69 |
| ERC 50 | 24 | 0.94 |
| ERC 100 | 175 | 0.69 |
| ER 100 L | 175 | 0.69 |
| ADU 100 | 175 | 0.69 |
| HC 350 | 20 | 0.79 |
| HC 450 | 20 | 0.79 |

¹ Phased-out models



Mounting group 18

SB 1102



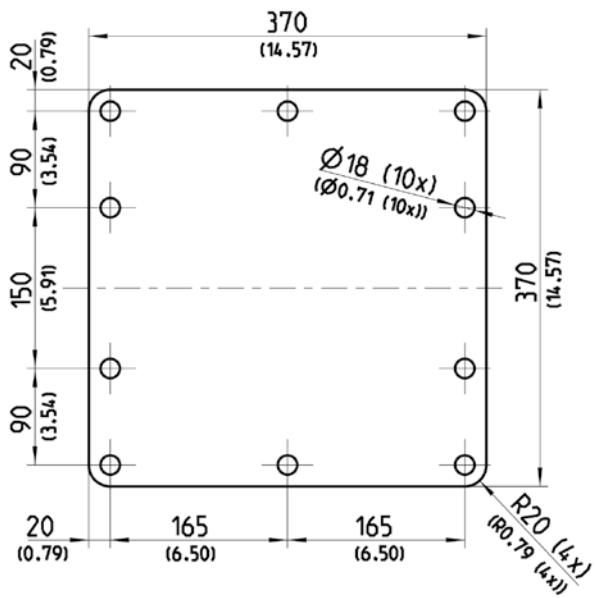
Thickness top plates

| Type | mm | inch |
|---------|----------------|------------------|
| SB 1102 | 44 (8x) | 1.73 (8x) |
| SB 1102 | 47 (inner, 4x) | 1.85 (inner, 4x) |



Mounting group 19

SC 270



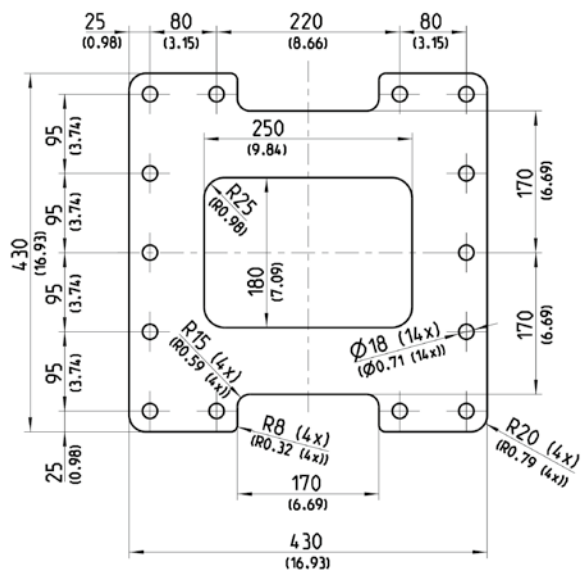
Thickness top plates

| Type | mm | inch |
|--------|----|------|
| SC 270 | 25 | 0.98 |



Mounting group 20

SC 600



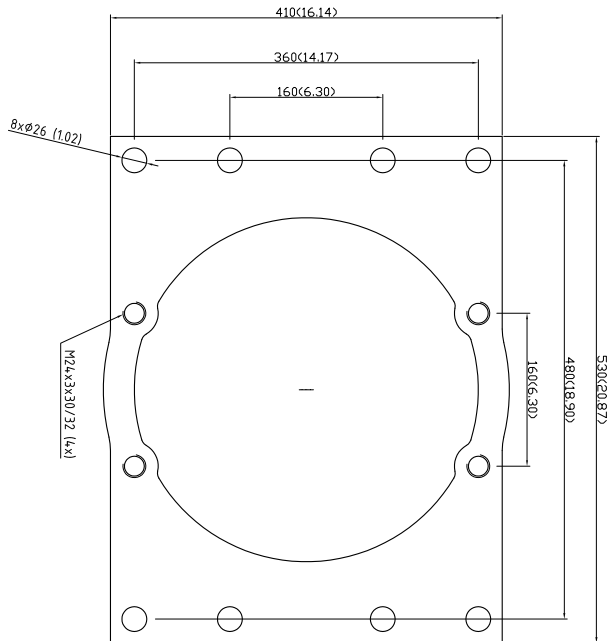
Thickness top plates

| Type | mm | inch |
|--------|----|------|
| SC 600 | 25 | 0.98 |



Mounting group 21

ERL 700/1100



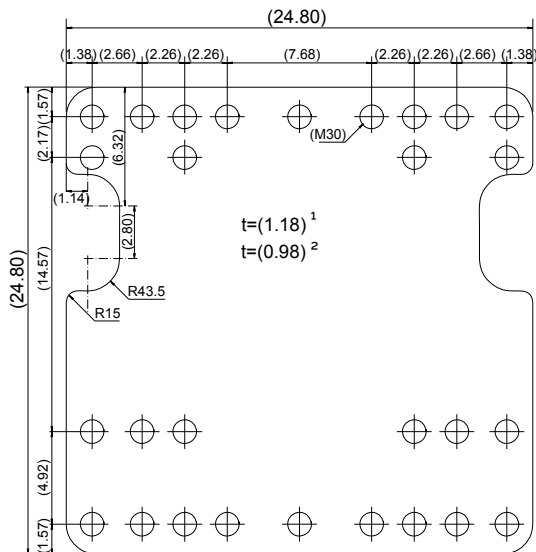
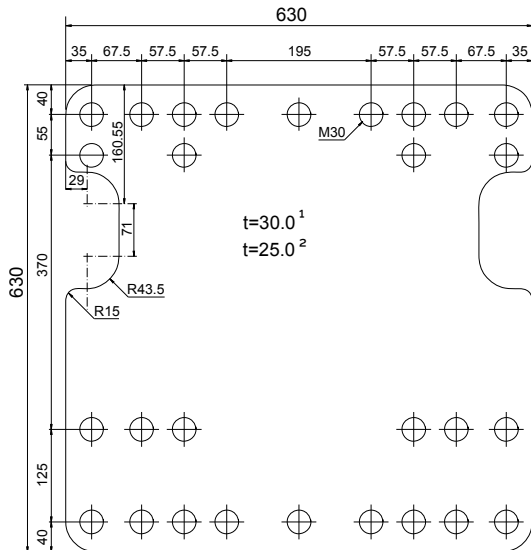
Thickness top plates

| Type | mm | inch |
|----------|----|------|
| ERL 700 | 28 | 1.10 |
| ERL 1100 | 28 | 1.10 |



Mounting group 22

BC 2500 · BS 1600



Use at least twelve screws and distribute them evenly across the hole pattern. In case of questions get in touch with the responsible product manager.

Thickness top plates

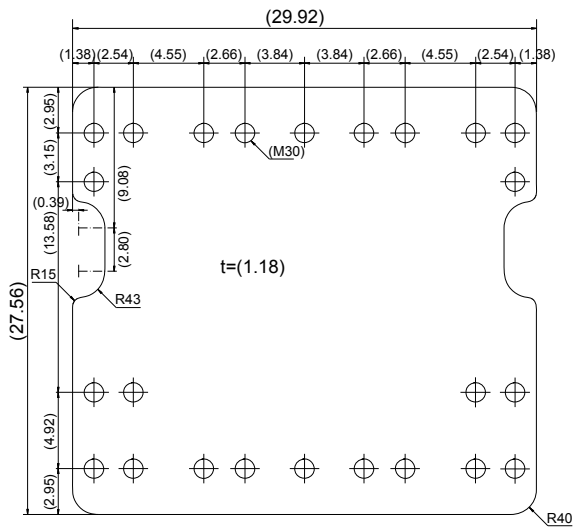
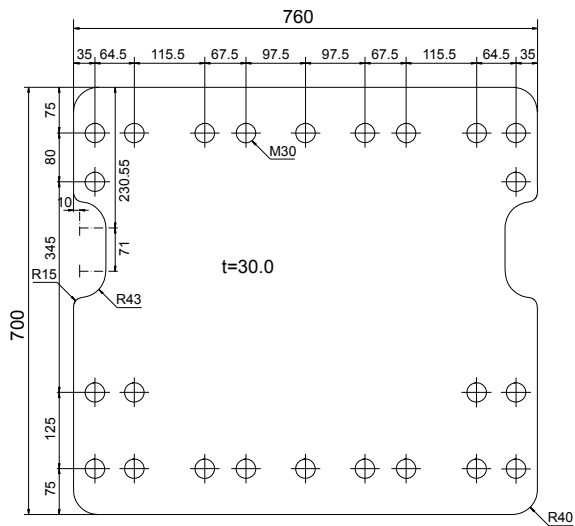
| Type | mm | inch |
|------------------------|----|------|
| BC 2500 ^{1,3} | 30 | 1.18 |
| BS 1600 ^{2,3} | 25 | 0.98 |

³ Inner thread



Mounting group 23

BC 3700 · BS 2200



Thickness top plates

| Type | mm | inch |
|----------------------|----|------|
| BC 3700 ¹ | 30 | 1.18 |
| BS 2200 ¹ | 30 | 1.18 |

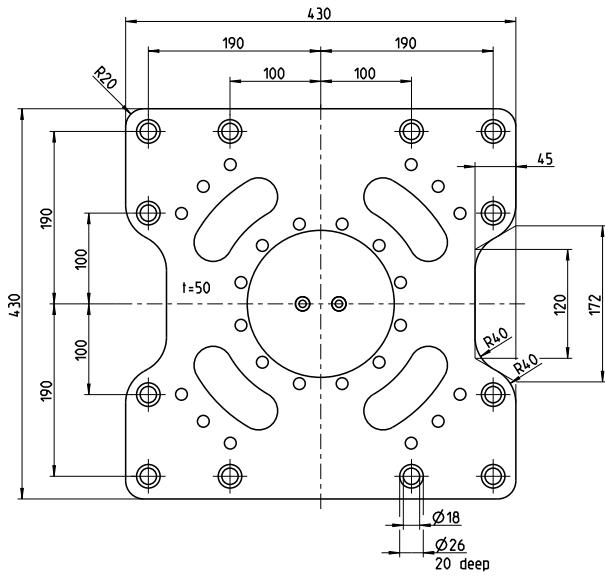
¹ Inner thread

Use at least twelve screws and distribute them evenly across the hole pattern. In case of questions get in touch with the responsible product manager.



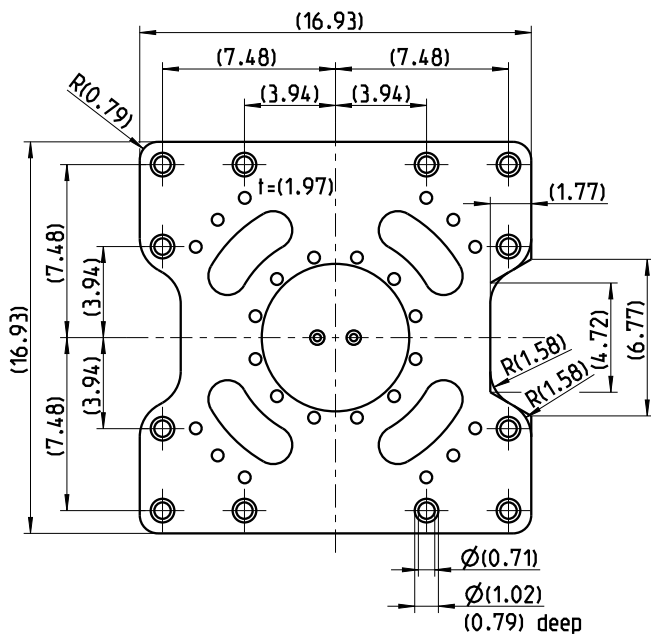
Mounting group 24

MG 400/500 NR



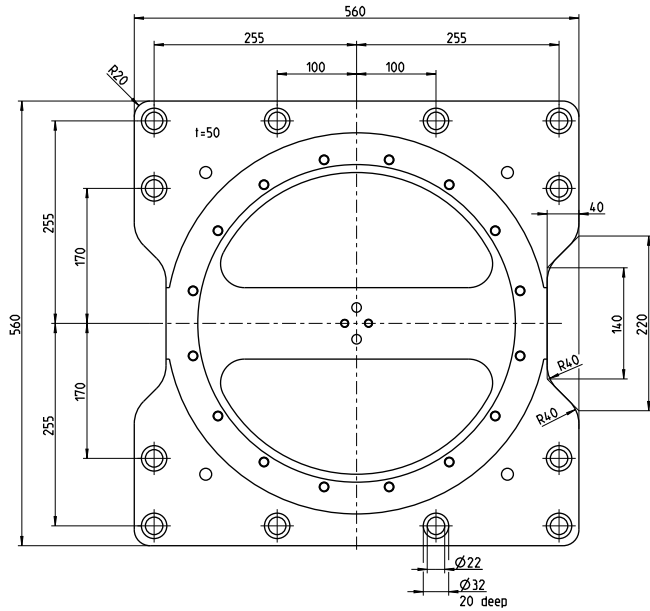
Thickness top plates

| Type | mm | inch |
|-----------|----|------|
| MG 400 NR | 50 | 1.97 |
| MG 500 NR | 50 | 1.97 |



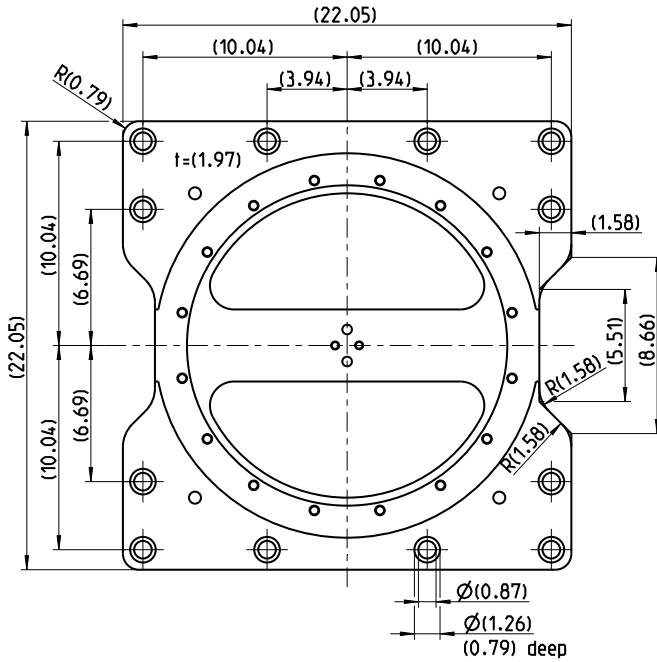
Mounting group 25

MG 800 NR



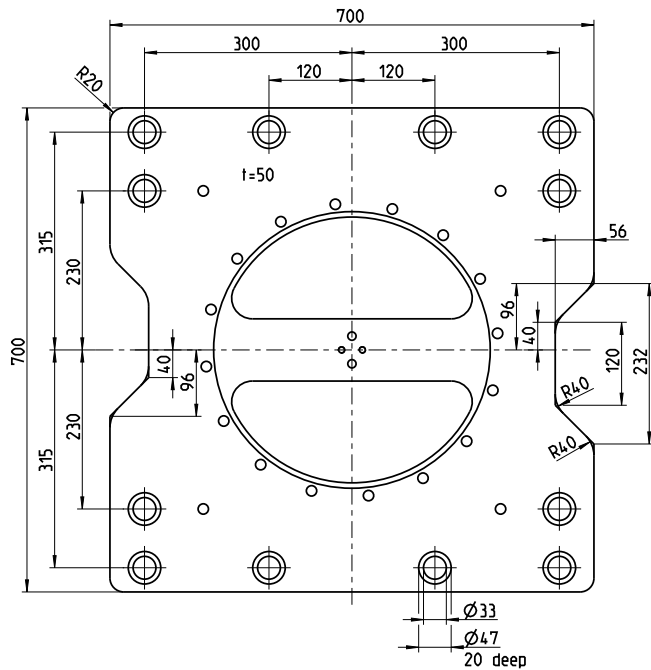
Thickness top plates

| Type | mm | inch |
|-----------|----|------|
| MG 800 NR | 50 | 1.97 |



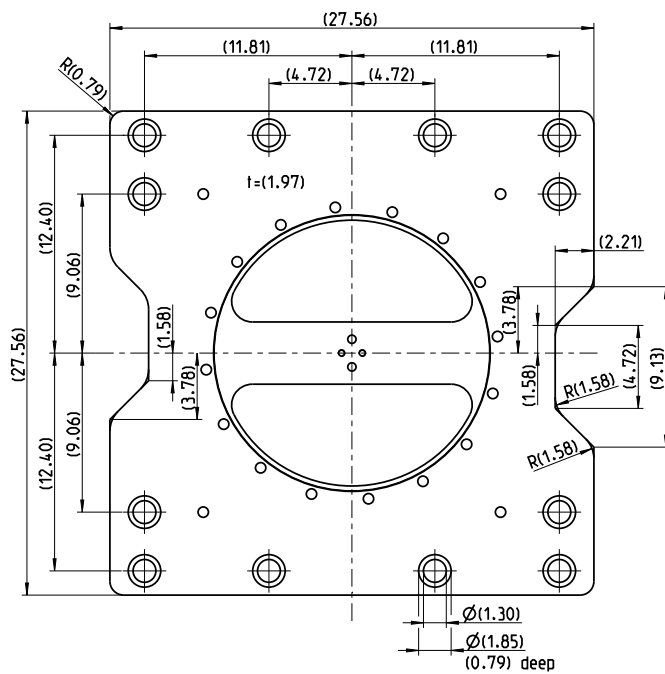
Mounting group 26

MG 1000 NR



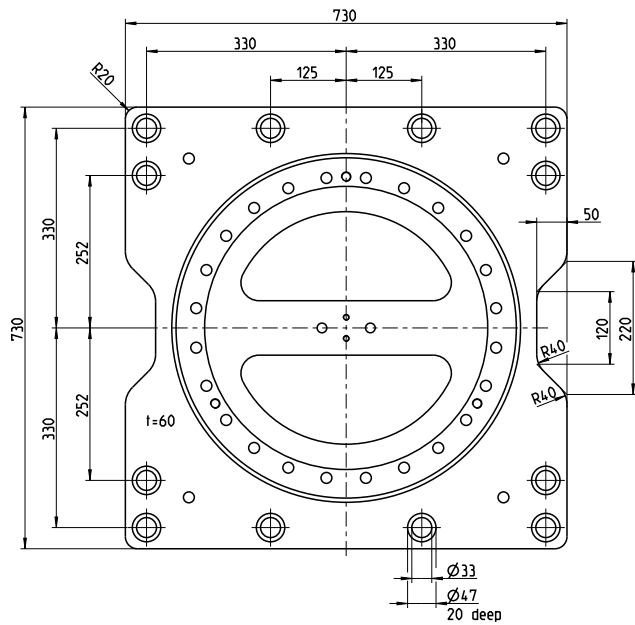
Thickness top plates

| Type | mm | inch |
|------------|----|------|
| MG 1000 NR | 50 | 1.97 |



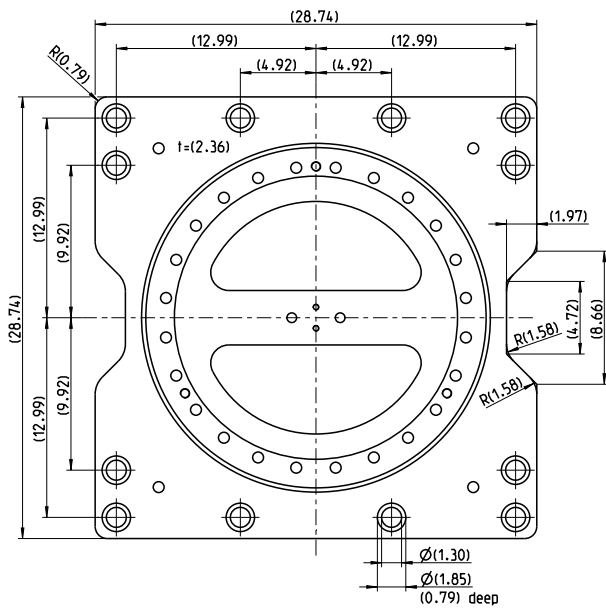
Mounting group 27

MG 1500 NR



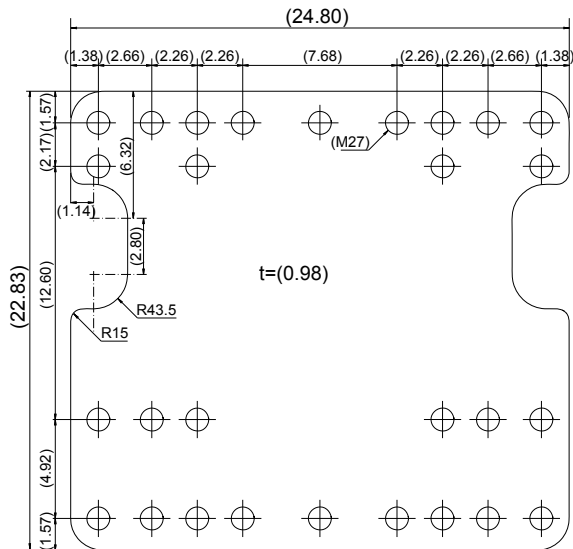
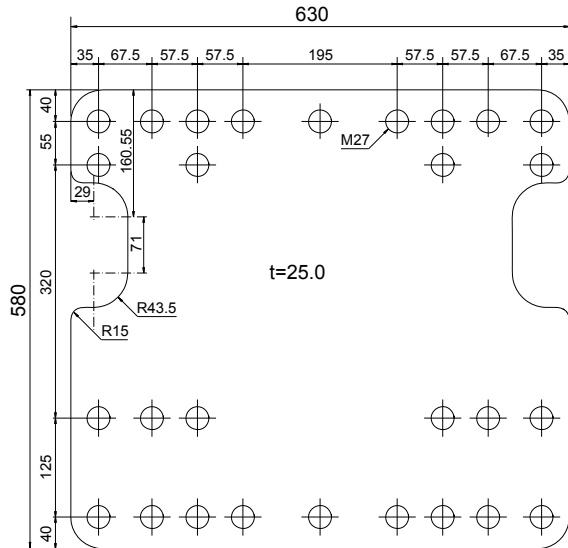
Thickness top plates

| Type | mm | inch |
|------------|----|------|
| MG 1500 NR | 50 | 1.97 |



Mounting group 28

BC 2100



Thickness top plates

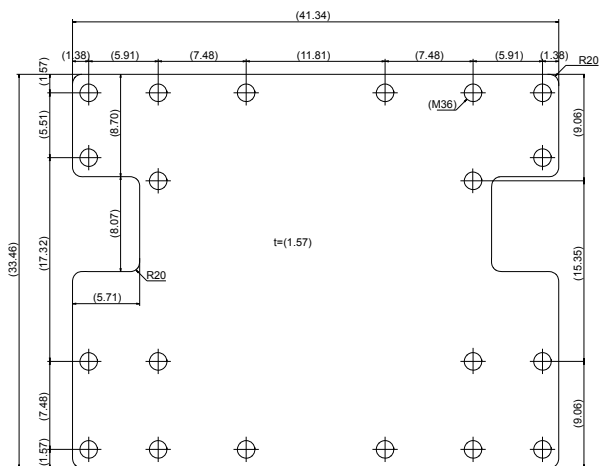
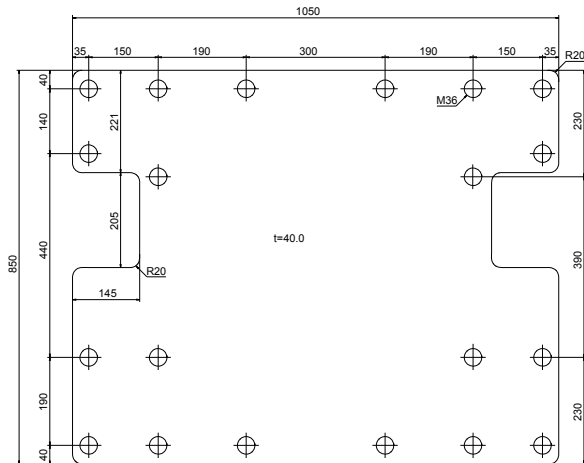
| Type | mm | inch |
|----------------------|----|------|
| BC 2100 ¹ | 25 | 0.98 |

¹ Inner thread

Use at least twelve screws and distribute them evenly across the hole pattern. In case of questions get in touch with the responsible product manager.

Mounting group 29

BC 5300



Thickness top plates

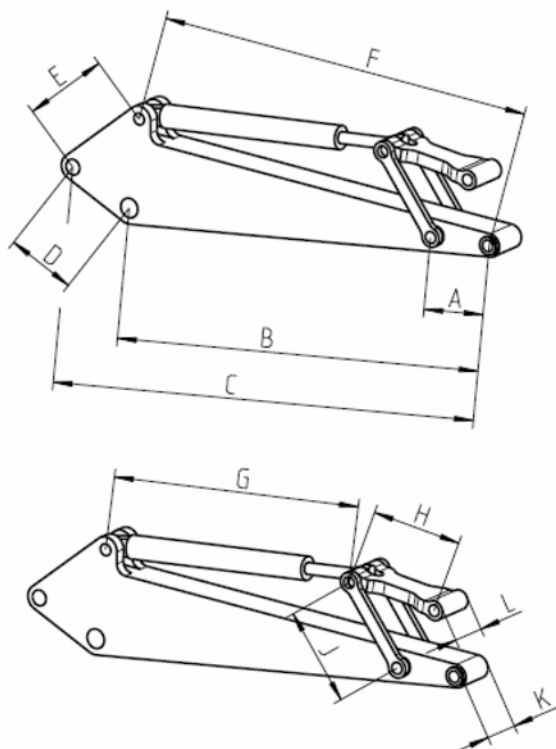
| Type | mm | inch |
|----------------------|----|------|
| BC 5300 ¹ | 40 | 1.58 |

¹ Inner thread

Use at least twelve screws and distribute them evenly across the hole pattern. In case of questions get in touch with the responsible product manager.

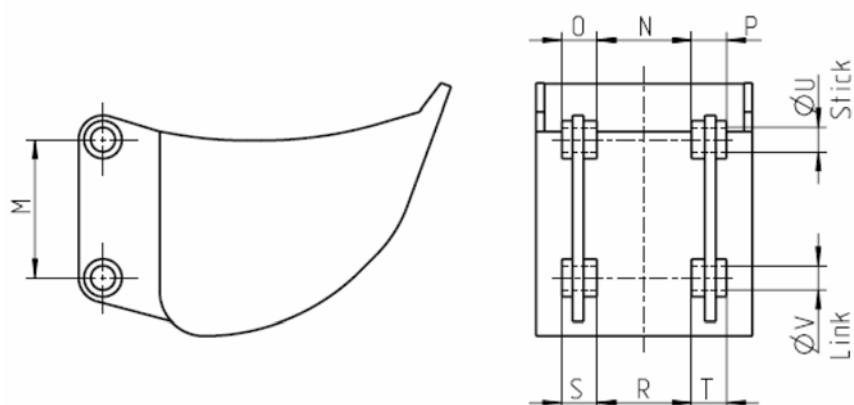
Kinematic data sheet

| | |
|---------------------|--|
| Manufacturer | |
| Year of manufacture | |
| Type | |
| Stick type | |



| | <input type="checkbox"/> mm | <input type="checkbox"/> inch |
|----------------|-----------------------------|-------------------------------|
| A | | |
| B | | |
| C | | |
| D | | |
| E | | |
| F | | |
| G ¹ | | |
| G ² | | |
| H | | |
| J | | |
| K | | |
| L | | |

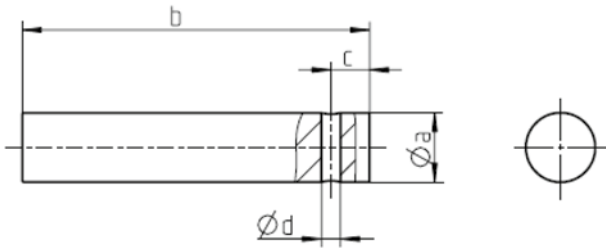
G¹ cylinder retracted
G² cylinder extended



| | <input type="checkbox"/> mm | <input type="checkbox"/> inch |
|----|-----------------------------|-------------------------------|
| M | | |
| N | | |
| O | | |
| P | | |
| R | | |
| S | | |
| T | | |
| ØU | | |
| ØV | | |

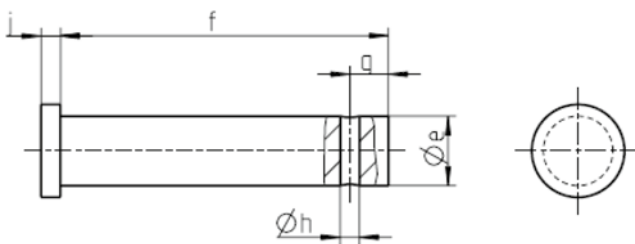
Different pin retainers

| | |
|---------------------|--|
| Manufacturer | |
| Year of manufacture | |
| Type | |
| Stick type | |



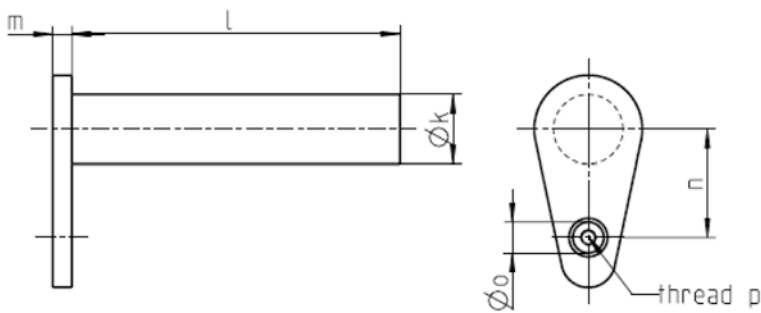
Version 1

| | <input type="checkbox"/> mm | <input type="checkbox"/> inch |
|---|-----------------------------|-------------------------------|
| | Stick | Link |
| a | | |
| b | | |
| c | | |
| d | | |



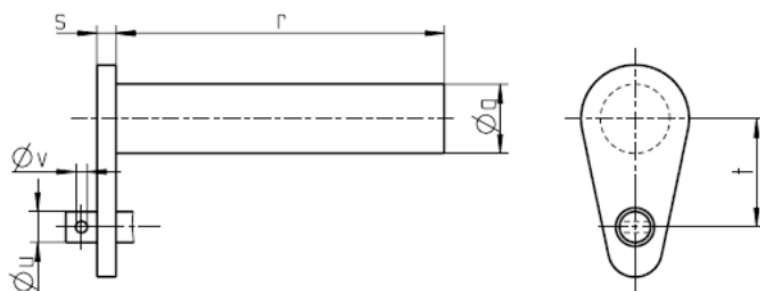
Version 2

| | <input type="checkbox"/> mm | <input type="checkbox"/> inch |
|---|-----------------------------|-------------------------------|
| | Stick | Link |
| e | | |
| f | | |
| g | | |
| h | | |
| i | | |



Version 3

| | <input type="checkbox"/> mm | <input type="checkbox"/> inch |
|---|-----------------------------|-------------------------------|
| | Stick | Link |
| k | | |
| l | | |
| m | | |
| n | | |
| o | | |
| p | | |

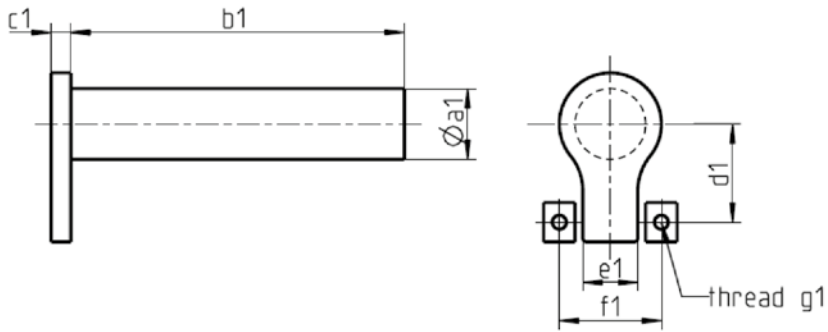


Version 4

| | <input type="checkbox"/> mm | <input type="checkbox"/> inch |
|---|-----------------------------|-------------------------------|
| | Stick | Link |
| q | | |
| r | | |
| s | | |
| t | | |
| u | | |
| v | | |

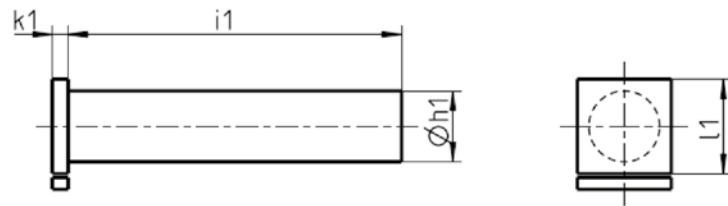
Different pin retainers

| | |
|---------------------|--|
| Manufacturer | |
| Year of manufacture | |
| Type | |



Version 5

| | <input type="checkbox"/> mm | <input type="checkbox"/> inch |
|----|-----------------------------|-------------------------------|
| | Stick | Link |
| a1 | | |
| b1 | | |
| c1 | | |
| d1 | | |
| e1 | | |
| f1 | | |
| g1 | | |



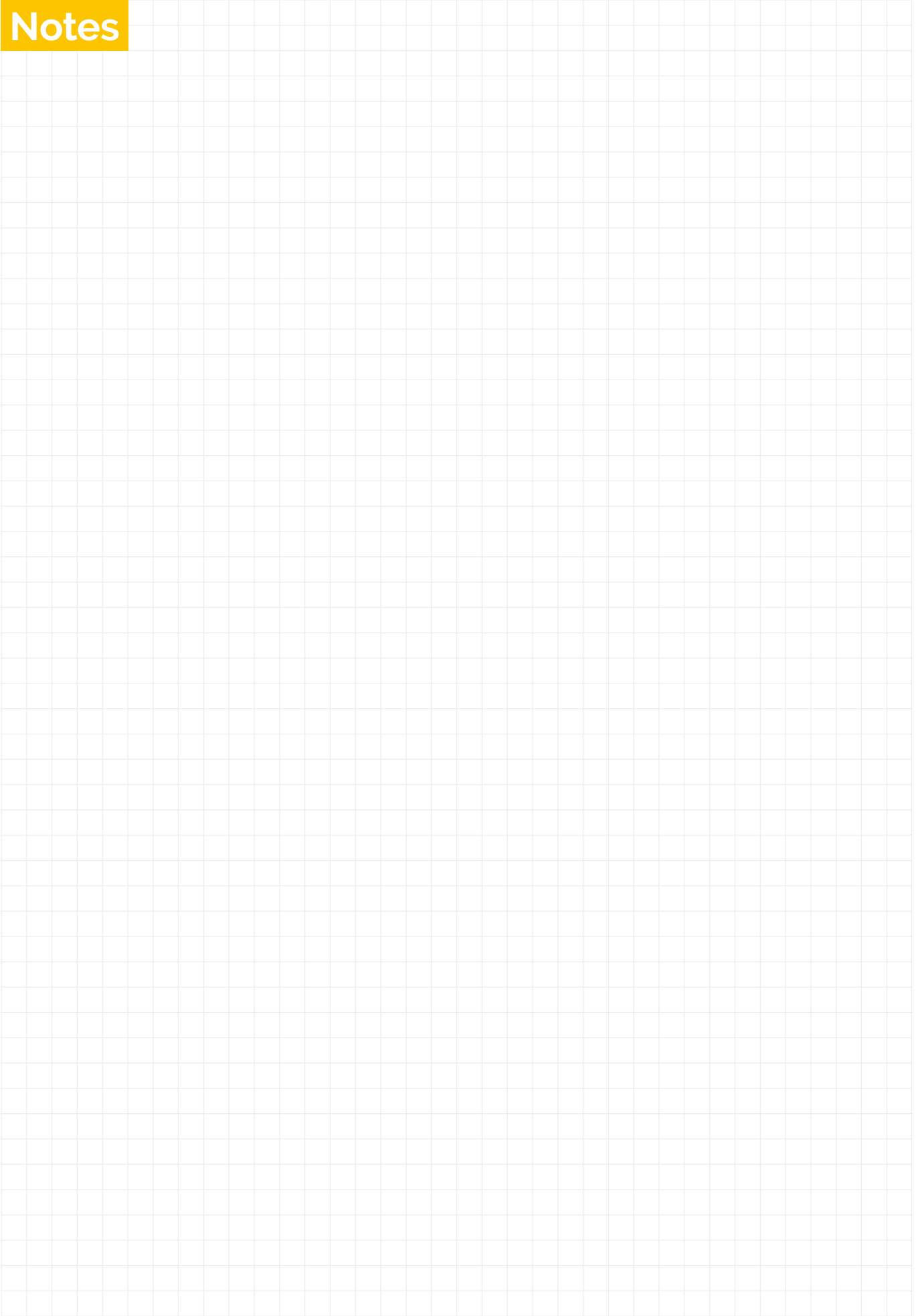
Version 6

| | <input type="checkbox"/> mm | <input type="checkbox"/> inch |
|----|-----------------------------|-------------------------------|
| | Stick | Link |
| h1 | | |
| i1 | | |
| k1 | | |
| l1 | | |

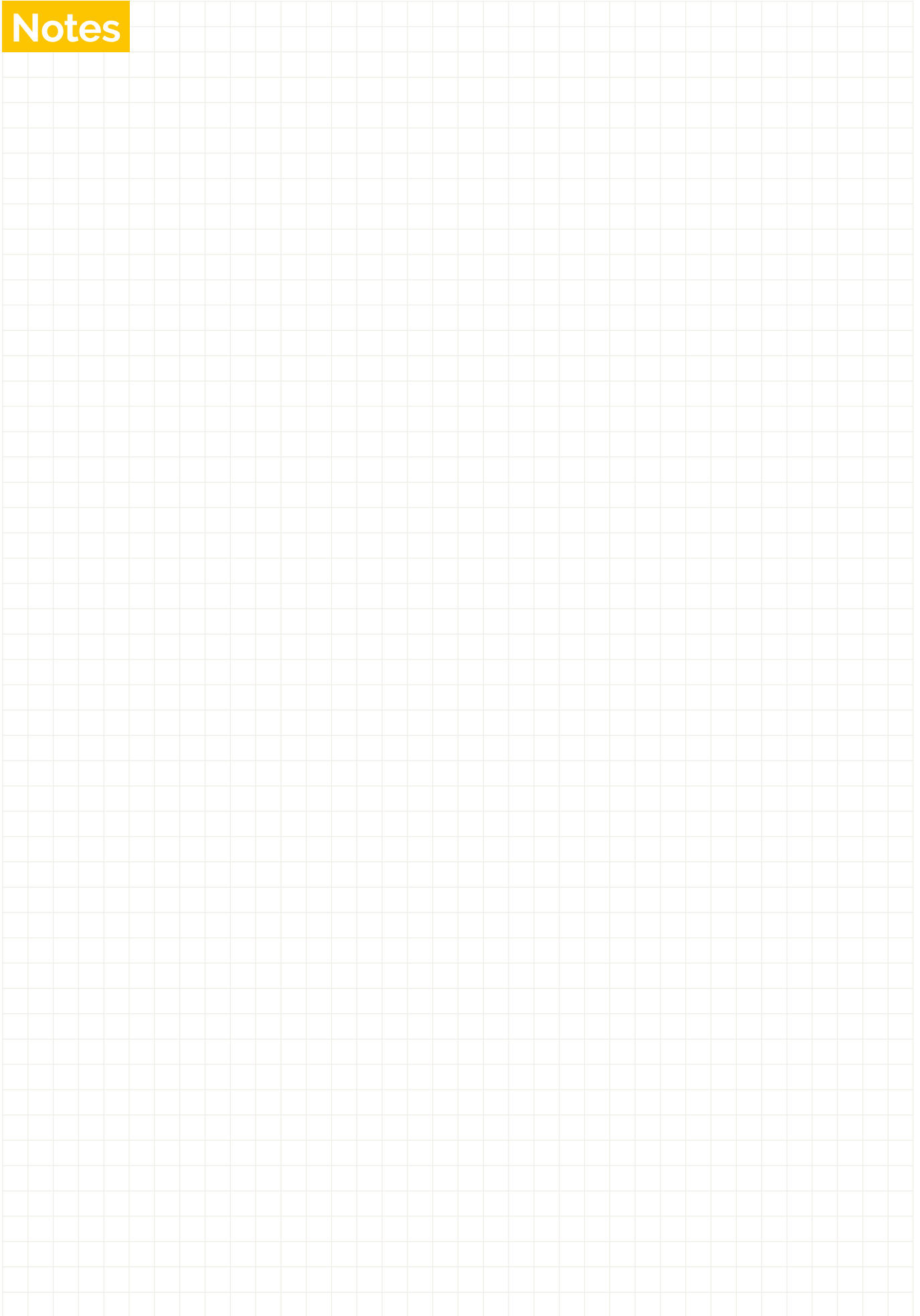
Space for a sketch

| | |
|------|--|
| Date | |
| Name | |

Notes



Notes



 facebook.com/epirocdemolition

 facebook.com/epirocgroup

 twitter.com/epirocgroup

 instagram.com/epirocgroup

 linkedin.com/company/epiroc

United in performance. Inspired by innovation.

Performance unites us, innovation inspires us, and commitment drives us to keep moving forward. Count on Epiroc to deliver the solutions you need to succeed today and the technology to lead tomorrow.
epiroc.com