

# Complete component replacement

Tailored to each machine configuration

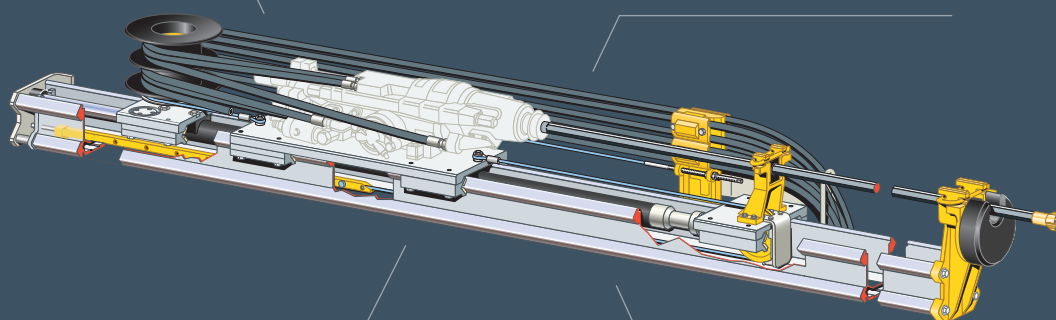


# Maximize productivity

Epiroc offers the option to purchase a complete component replacement assembly. These assemblies are customized to the specific build configuration of each customer's machine. Complete component replacement allows for quick plug and play installation reducing machine downtime.

All necessary checks and testing performed prior to shipment

Safe solution – Epiroc standards and genuine parts used



Incorporating the latest updates and advancements

Components are available to be shipped globally

## + Main benefits

Quick and easy installation giving reduced workshop downtime

Extends equipment lifetime

Damaged components can be quickly replaced

Frees up resources that would have otherwise been required for rework or longer installations



All major components are available: cabs, power packs, towers, booms and feeds just to name a few.



Each component is reviewed in comparison to the machine configuration it is to be used on.



Ensures that the parts needed are all accounted for, and the required connections available.

# Examples

	Product line	Examples of machine types
Hydraulic feed	Underground tunneling and mining	Boomer, Simba
Complete tower replacements	Rotary blasthole drill rigs	Pit Viper, Predator, Diamondback
Hydraulic feed	Surface mining and construction	FlexiROC, SmartROC, PowerROC
Hydraulic boom	Underground tunneling and mining	Boomer, Simba, Boltec
Rod handling system	Underground mining	Simba
Mechanical bolting unit	Underground tunneling and mining	Boltec
Power pack	Rotary blasthole drill rigs	Pit Viper, Predator, Diamondback, Drill Master
Hose kits for machine overhaul	Material handling	Minetruck, Scooptram
Hose kits for machine overhaul	Surface mining and construction	FlexiROC, SmartROC, PowerROC
Hose kits for machine overhaul	Underground tunneling and mining	Boomer, Simba, Boltec
Hose kits for machine overhaul	Rotary blasthole drill rigs	Pit Viper, Drill Master
Cabin	Material handling	Minetruck, Scooptram
Cabin	Surface mining and construction	FlexiROC, SmartROC, PowerROC
Cabin	Underground tunneling and mining	Boomer, Simba, Boltec
Cabin	Rotary blasthole drill rigs	Pit Viper, Drill Master
Hydraulic system for machine overhaul	Underground tunneling and mining	Boomer, Simba, Boltec
Screen handler	Underground tunneling and mining	Boomer, Simba, Boltec
Power pack	Surface mining and construction	FlexiROC, SmartROC, PowerROC

# United in performance. Inspired by innovation.

Performance unites us, innovation inspires us, and commitment drives us to keep moving forward. Count on Epiroc to deliver the solutions you need to succeed today and the technology to lead tomorrow.  
**[epiroc.com](http://epiroc.com)**

