

# PowerROC T45

Surface drill rig for quarrying and construction  
Hole diameter: 76–127 mm (3"–5")

 Epiroc







# Powerful, reliable and simple

The PowerROC T45 is both powerful and dependable. It offers great productivity and high availability.

Thanks to its compact structure and high manoeuvrability, the PowerROC T45 is perfect for construction sites and aggregate, cement and limestone quarries. The rig features a modular,

straightforward design. This keeps servicing simple as no special tools are required. The PowerROC T45 is a rugged and dependable workhorse.

## ⊕ Main benefits

**Powerful and reliable** thanks to the COP SC25 with 800 impact hour service intervals

**Easy to maintain** with a FOPS & ROPS-certified cabin and a well thought out, straightforward design

**High mobility and fast positioning** due to its compact machine size and extendable boom system



# Ready to perform

The surface drill rig PowerROC T45 has a low number of components and a modular and straightforward design. This allows for easy maintenance and high availability.



## + Simple to operate and maintain

The PowerROC T45 is straightforward and reliable. It features a logical and well-proven pilot hydraulic control system. This easy-to-understand system enables new operators to get down to drilling quickly as it is easy to learn and simple to use. Maintenance tasks can be performed rapidly which helps to increase availability and increase profitability.

## + High quality blast holes

The better the hole, the better the blast. The COP Logic system helps to maintain the best drilling performance. Whatever the rock conditions, you can be sure the PowerROC T45 will achieve a high penetration rate and reduce the amount spent on consumables. The Epiroc COP Logic system, in combination with a COP rock drill equipped with a damper system helps keeps the bit in contact with the rock so that no power goes to waste.

## + Ergonomic design and high operator comfort

The ergonomically designed cabin gives the operator full visibility during the drilling process, and offers great comfort which helps to improve efficiency. Easy access to vital service points means that the PowerROC T45 is easy to maintain and service. Also, all hoses are clearly marked which assists in troubleshooting.



## A comprehensive service offering

Even the best equipment needs to be serviced regularly to make sure it sustains peak performance. An Epiroc service solution offers peace of mind, maximizing availability and performance throughout the lifetime of your equipment. We focus on safety, productivity and reliability.

By combining genuine parts and an Epiroc service from our certified technicians, we safeguard your productivity – wherever you are.

## Technical specifications

### Main components

- Track frames with single or triple grouser pads, hydraulic track oscillation and two speed traction
- Cummins turbo charged diesel engine, QSB6.7, Tier 3/Stage III, QSB6.7 Tier 4 Final/Stage IV
- Screw type compressor
- ROPS and FOPS-approved cabin
- Extendable boom system
- Carousel type rod handling system: 6 rods (3.66 m) in the carousel and 1 starter rod (4.2 m) on the feed beam (standard feed).
- Hydraulic rock drill
- Dust collector system

### Engine

Cummins turbo charged, diesel engine QSB6.7, Tier 3/Stage IIIA	Metric	US
Power rating at 2 200 rpm	194 kW	260 hp
Cummins turbo charged, diesel engine QSB6.7C, Tier 4 Final/Stage IV	Metric	US
Power rating at 2 200 rpm	194 kW	260 hp

### Compressor

Screw type air compressor	Metric	US
Working pressure, max	9.8 bar	140 psi
FAD, at normal working pressure	175 l/s	370 cfm

### Hydraulic system

Hydraulic oil cooler	Metric	US
Max ambient temperature	52°C	125°F

### Electrical system

Voltage	24 V
Batteries	2 x 12 V, 96 Ah
Alternator	24 V, 70 A
Work lights, front	4 x 70 W
Work lights, rear	1 x 70 W
Reverse alarm	

### Hydraulic rock drill

Rock drill	Impact power	Hydraulic pressure	Impact rate	Max torque	Weight approx
COP SC25_HE	25 kW (33.5 hp)	200 bar (2 900 psi)	2: 55 Hz / 3: 44 Hz	1 225 Nm (904 lbf-ft)	195 kg (429 lb)
COP SC25X-HE					249 kg (548 lb)

### Hole range (recommended)

Type of drilling	Drill steel type	Drilling diameter	Max hole depth	Drill steel length
Standard feed	T45, T51	76-127 mm (3-5')	25 m (82')	3 660 mm (12') x 6

### Feed

Hydraulic motor feed with hose reel and dust hood	Metric	US
Feed extension	1 500 mm	59'
Feed rate, max	0.6 m/s	118 ft/min
Feed force, max	19.6 kN	4 406 lbf
Tractive pull, max	19.6 kN	4 406 lbf
Total length	7 660 mm	301.6'
Travel length	4 360 mm	171.7'

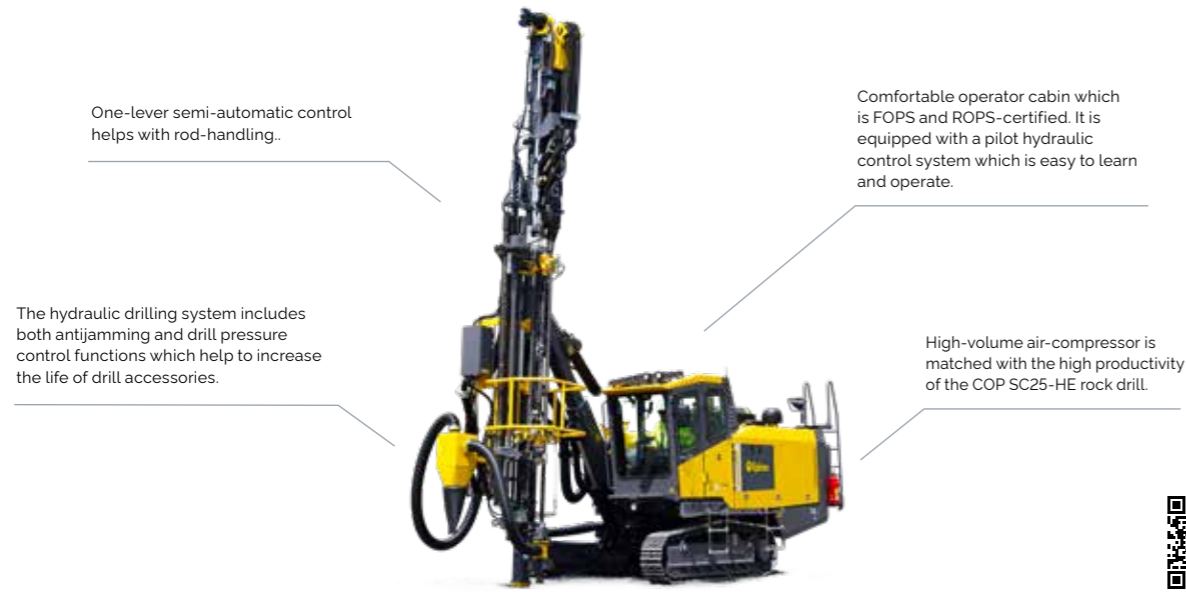
### Volumes

Hydraulic oil tank	220 l	58 US gal
Hydraulic system, total	250 l	66 US gal
Compressor oil	42 l	11 US gal
Diesel engine oil	19 l	5 US gal
Diesel engine, cooling water	35 l	9.2 US gal
Diesel engine, fuel tank	430 l	114 US gal
Traction gear	2.5 l	0.66 US gal
Lubrication tank(ECL)	4.0 l	1.05 US gal
DEF fluid tank (Tier 4 Final only)	16.9 l	4.4 US gal

### Dust collector

	Metric	US
Filter area	23 m <sup>2</sup>	248 sq.ft
Number of filter elements	10 pcs	10 pcs
Cleaning air pressure, max	4.0 bar	58 psi
Cleaning air consumption	15 l/pulse	0.5 cu.ft/pulse
Suction hose diameter	150 mm	5.9'
Suction capacity at 800 mm Aq	467 l/s	989 gal/s

# Technical specifications

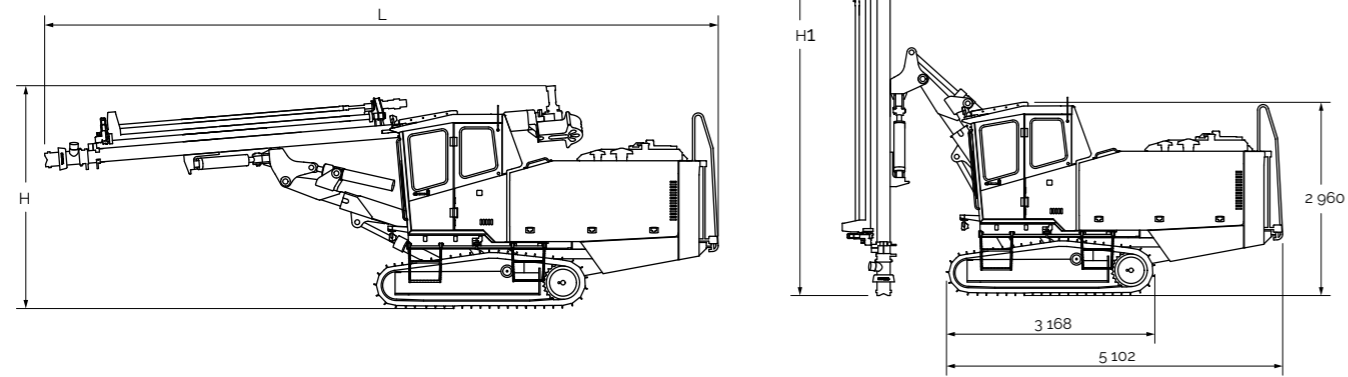


Discover more about the PowerROC T45.



## Transport dimensions

	Metric	US
Height (H)	3 270 mm	129'
Length (L)	10 000 mm	393.7'
Width	2 410 mm	94.8'
Feed height (H1)	7 935 mm	312.4'
Weight	14 500 kg	31 967 lb



## Selection of options

### Hole measuring systems

- 2D angle indicator - TRANSTRONIC HQS
- 3D angle indicator with speed and depth - TRANSTRONIC HQS

### Safety

- Reverse camera
- LED lamp kit
- Flashlight kit

### Delivered equipment, not mounted

- Gas charging equipment (for rock drill)
- Hydraulic pressure test kit

### Rod handling system

- RHS T45 x 12' x 6 for 63 mm coupling
- RHS T45 x 12' x 6 for 66 mm coupling
- Conversion kit T51/72 mm sleeve to 77 mm sleeve

### Dust control

- Dust pre-separator

### Track

- Track chain with single grouser pads (only available for CE)

### Water mist system

- Water mist system (exclusive tank)
- Water mist system ASME tank

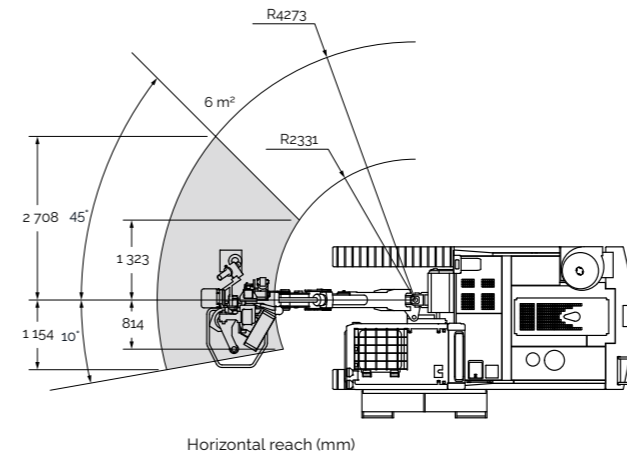
### Parts and services

- Extra spare parts book
- Central lubrication system

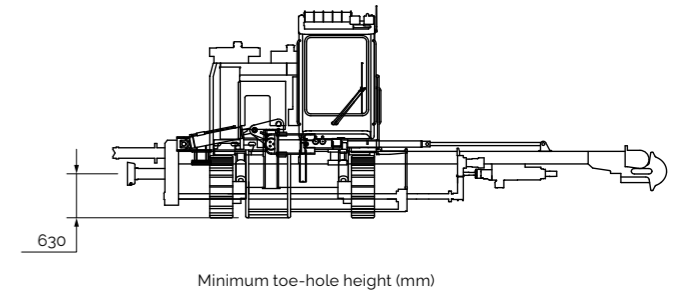
### Adjustments for drilling

- Percussion pressure control system
- Rotation speed control system

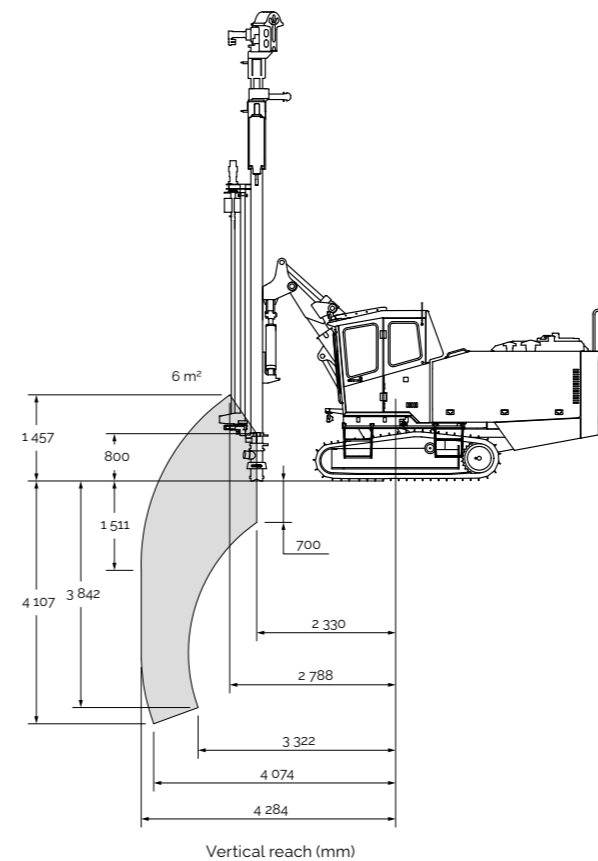
# Technical specifications



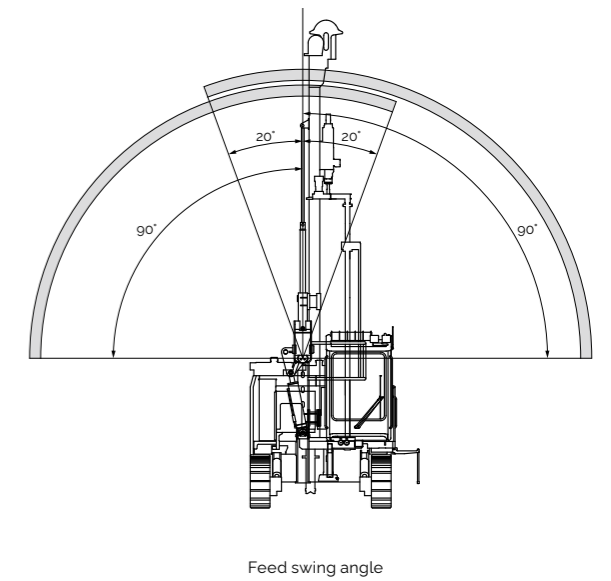
Horizontal reach (mm)



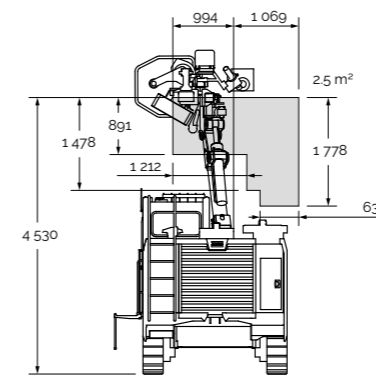
Minimum toe-hole height (mm)



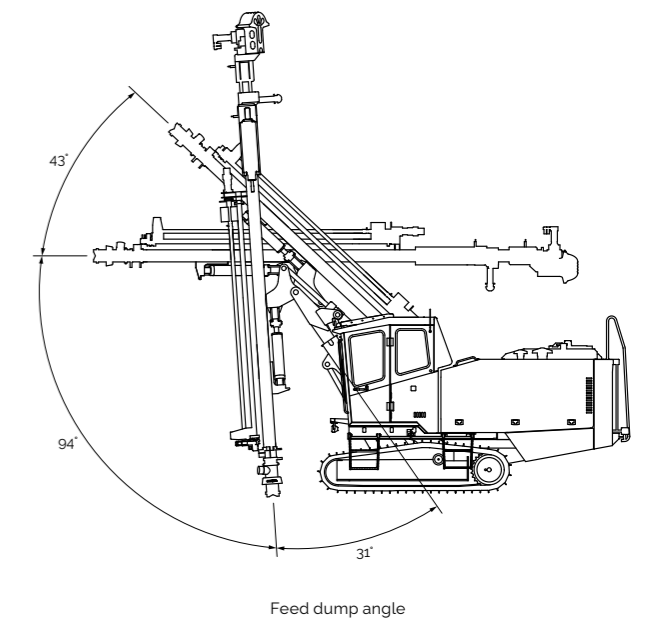
Vertical reach (mm)



Feed swing angle



Front face horizontal coverage area (mm)



Feed dump angle

# United in performance. Inspired by innovation.

Performance unites us, innovation inspires us, and commitment drives us to keep moving forward. Count on Epiroc to deliver the solutions you need to succeed today and the technology to lead tomorrow. [epiroc.com](http://epiroc.com)

