

Rod Handling System

For Christensen CT20, Christensen 140 and Boyles C6/C6C



Maximise on-site safety

The Rod Handling System (RHS) is available as an option for Christensen CT20, Christensen 140 and Boyles C6/C6C surface core drilling rigs.

Safety is always a top concern. Keeping the operator out of harms way whilst performing core drilling is not always easy. This is why Epiroc has developed the Rod Handling System (RHS). The RHS enables hands-free rod tripping throughout the drilling cycle. This means there is no need to manually add or remove rods by hand.

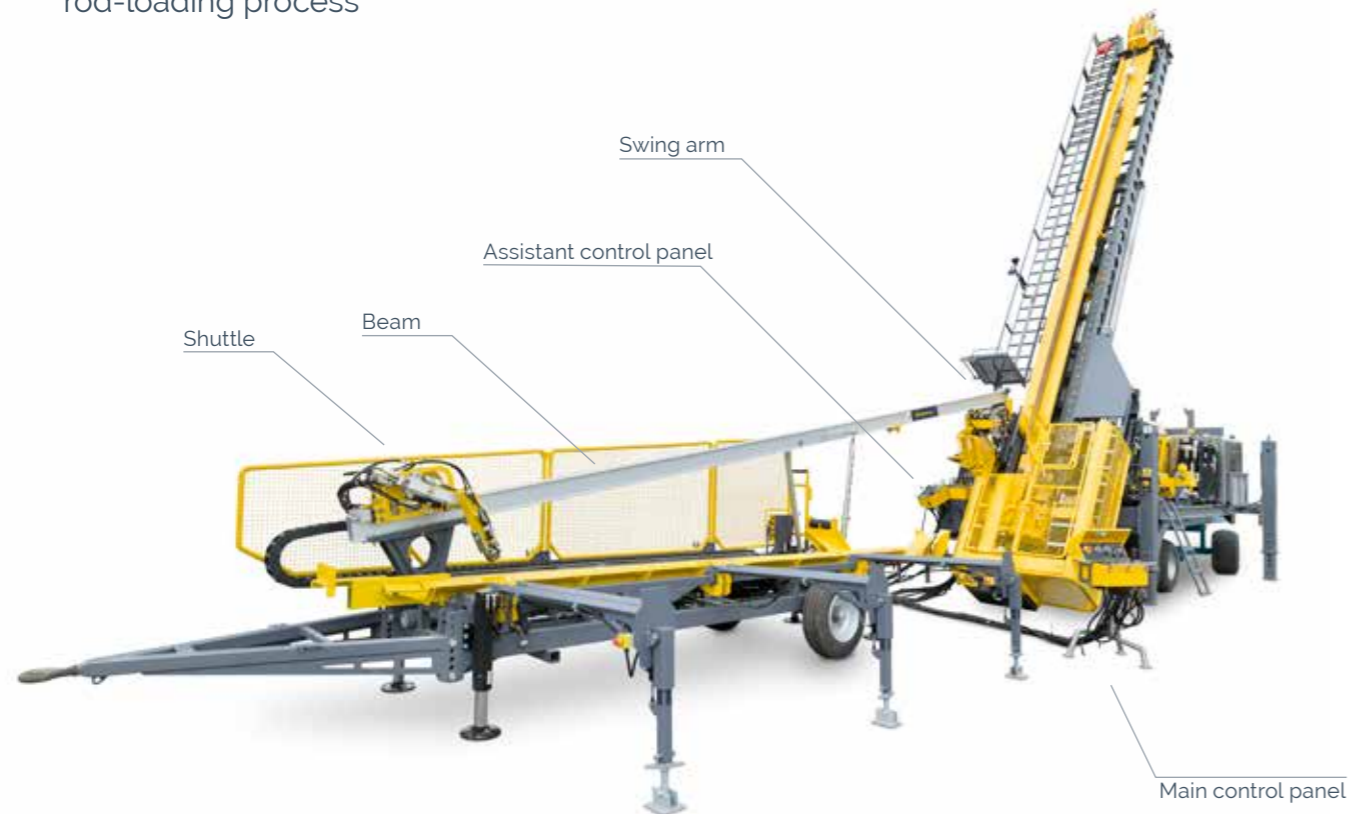
Secondly, thanks to hands-free rod tripping, the operator assistant uses an assistant control panel instead of manually adding the rods. This increases safety and reduces fatigue for the operator assistant. Additionally, there is no need to manually add rods when threading – this totally removes the need to perform a potentially dangerous activity which dramatically increases safety.

+ Main benefits

Hands-free rod tripping throughout the drilling cycle

Less fatigue for the operator assistant

Minimises injuries during the rod-loading process



Technical specifications with Christensen CT20

Technical data

Main application area	Core drilling
Drilling method	Wireline drilling
Rod rack capacity	B - 25 rods, N - 20 rods, H - 15 rods, P - 11 rods
Powered by	Rig auxiliary hydraulic

Technical data

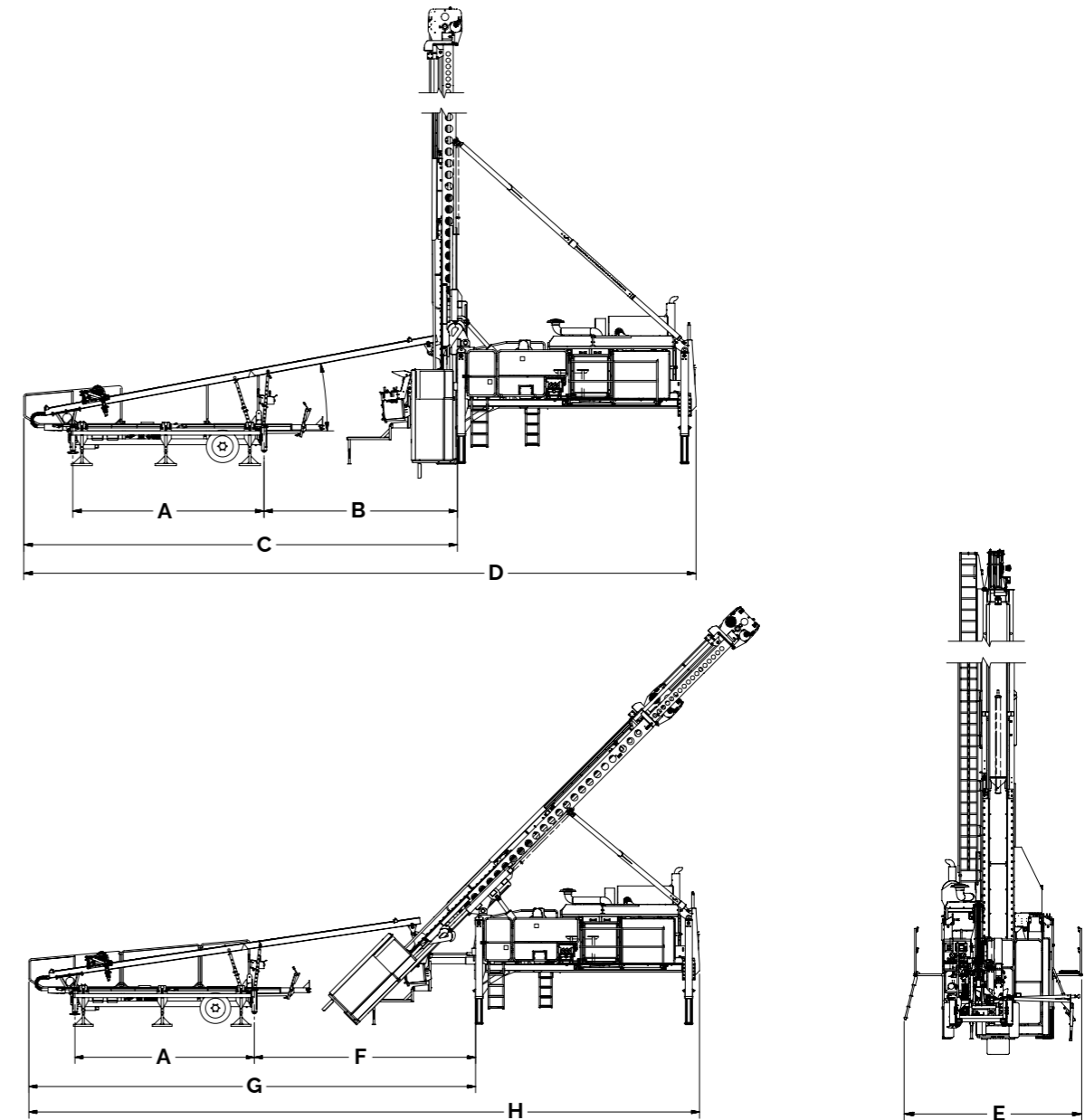
Handles 3 meter and 6 meter drill rod
Rod size - B, N, H and P
Can handle W/L casings
Handles the complete core barrel as well as inner tube
Drilling angles from 45° to 90°
CE certified (EN 16228)

Working dimensions

Dimension	Metric	US
A	4 698 mm	15.4 ft
B	5 124 mm	16.7 ft
C	10 617 mm	34.8 ft
D	16 207 mm	53.1 ft
E	2 923 mm	9.5 ft
F	5 493 mm	18 ft
G	11 278 mm	37 ft
H	16 867 mm	55.4 ft

Transport dimensions

Dimension	Metric	US
Length	8 250 mm	27.2 ft
Width	2 150 mm	7.2 ft
Height	1 700 mm	5.6 ft
Weight	2 500 kg	5 512 lb



Technical specifications with Christensen 140

Technical data

Main application area	Core drilling
Drilling method	Wireline drilling
Rod rack capacity	B = 25 rods, N = 20 rods, H = 15 rods, P = 11 rods
Powered by	Rig auxiliary hydraulic

Technical data

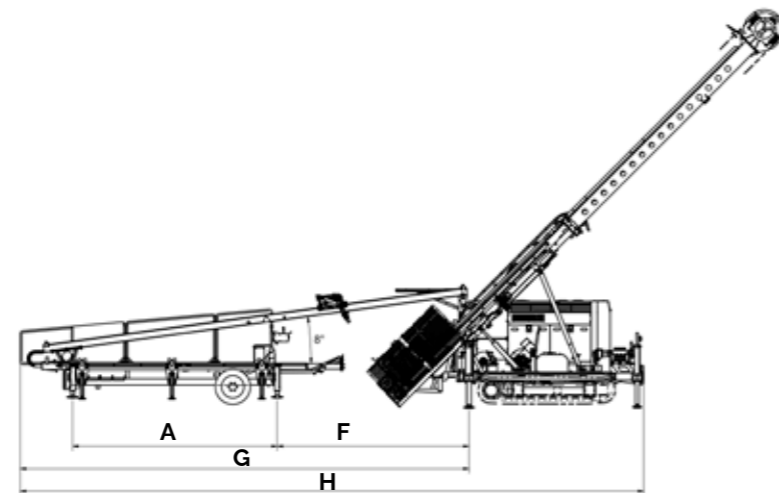
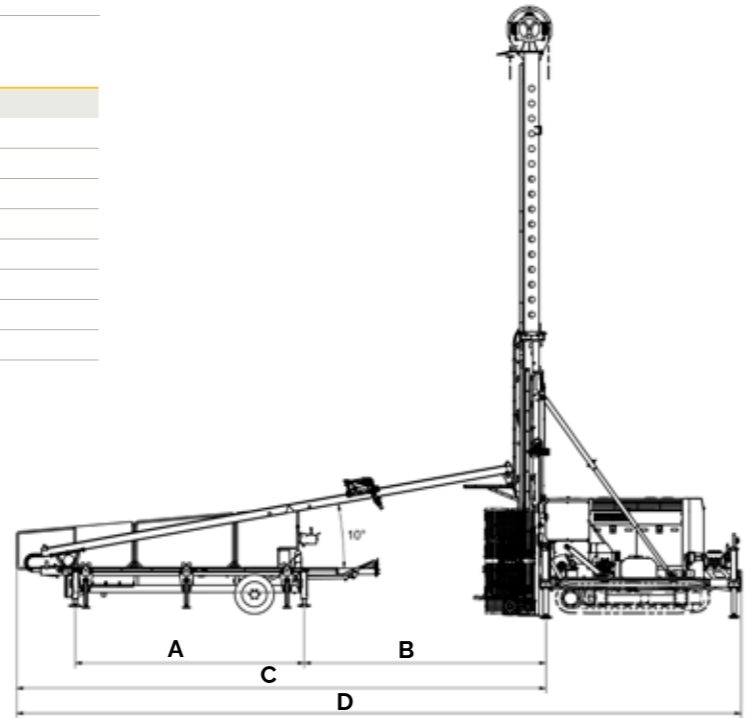
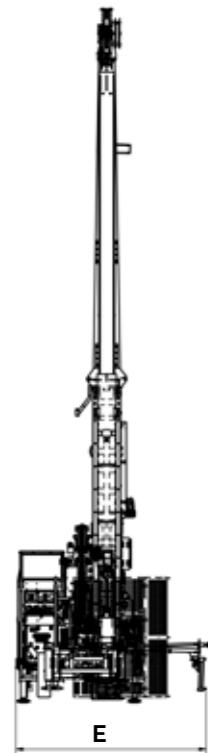
Handles 3 meter and 6 meter drill rod
 Rod size - B, N, H and P
 Can handle WL casings
 Handles the complete core barrel as well as inner tube
 Drilling angles from 45° to 90°
 CE certified (EN 16228)

Working dimensions

Dimension	Metric	US
A	4 554 mm	14.9 ft
B	4 809 mm	15.8 ft
C	10 530 mm	34.5 ft
D	14 415 mm	47.3 ft
E	3 331 mm	10.9 ft
F	4 270 mm	14.0 ft
G	9 991 mm	32.8 ft
H	13 876 mm	45.5 ft

Transport dimensions

Dimension	Metric	US
Length	8 250 mm	27.1 ft
Width	2 150 mm	7.1 ft
Height	1 700 mm	5.6 ft
Weight	2 500 kg	5 512 lb



Technical specifications with Boyles C6/C6C

Technical data

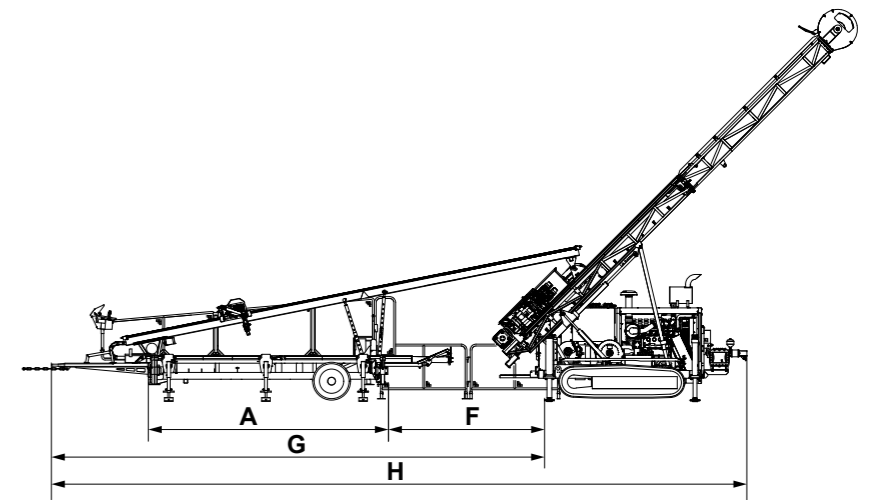
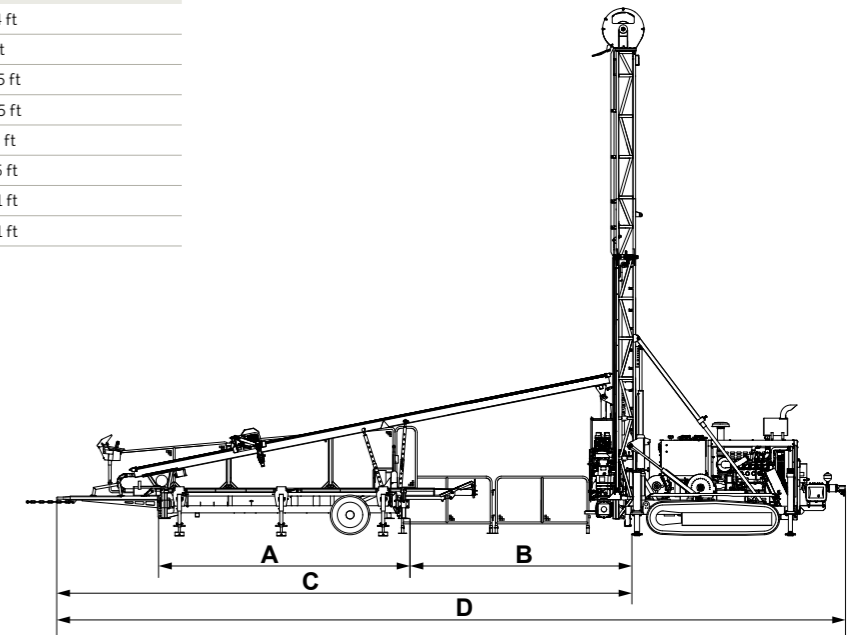
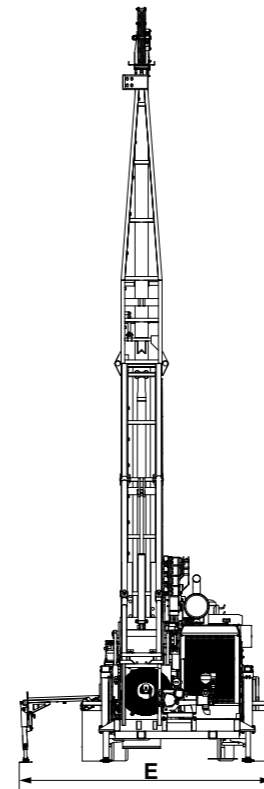
Main application area	Core drilling
Drilling method	Wireline drilling
Rod rack capacity	B = 25 rods, N = 20 rods, H = 15 rods, P = 11 rods
Powered by	Rig auxiliary hydraulic

Technical data

Handles 3 meter and 6 meter drill rod
 Rod size - B, N, H and P
 Can handle WL casings
 Handles the complete core barrel as well as inner tube
 Drilling angles from 45° to 90°
 CE certified (EN 16228)

Working dimensions

Dimension	Metric	US
A	4 698 mm	15.4 ft
B	4 562 mm	15 ft
C	11 129 mm	36.5 ft
D	15 397 mm	50.5 ft
E	3 455 mm	11.3 ft
F	3 795 mm	12.5 ft
G	10 408 mm	34.1 ft
H	14 676 mm	48.1 ft



United in performance. Inspired by innovation.

Performance unites us, innovation inspires us, and commitment drives us to keep moving forward. Count on Epiroc to deliver the solutions you need to succeed today and the technology to lead tomorrow.
epiroc.com

