

Minetruck MT2200

Articulated underground truck with 22-tonne load capacity



Productivity in a compact size

The Minetruck MT2200 is a high-capacity truck built for fast, efficient underground haulage. Designed for deep and narrow mines with a drift size of 4 x 3.4 meters, it is a powerhouse in a compact size that can achieve high productivity outputs even at deep underground levels, thanks to its powerful engine and high speed.

⊕ Main benefits

Safety first with the Minetruck MT2200, which includes blindspot cameras, SAHR brakes, automatic locks, alert lights, and other vital protection features to ensure worker safety

Greater productivity while transporting heavy 22-tonne loads, the Minetruck MT2200 is fitted with a powerful engine, robust transmission and strong axles to maintain high output levels

Reliability is ensured by the robust and efficient transmission and axles, which minimize maintenance and provide high durability while operating heavy loads in harsh underground mines



The cabin provides comfort to the operator with its low noise level, air conditioning, spring-suspended and adjustable seat, user-friendly display, and easily accessible controls.



The powerful engine in the Minetruck MT2200 enables optimal fuel efficiency and uptime, ensuring quieter and smoother operations.



The Minetruck MT2200 Stage IV engine's aftertreatment system is designed to significantly reduce toxic gases, including particulate matter (PM), nitrogen oxides (NOx), and hydrocarbons (HC).

ISO FOPS / ROPS certified cabin with air condition system* and cyclone filter or side seated canopy

22-tonne dump box in high strength steel, tailgate configuration optional

Aftertreatment system

Powerful engine compression brake

Articulation-, and raised dump box safety lock

SAHR brakes at all wheel ends



Efficiency in a robust design

The Minetruck MT2200 is designed to enhance productivity while ensuring safe, efficient, and reliable haulage in underground mining and construction operations. Its low weight and high payload capacity provide high productivity with optimal cycle times. Alongside its unmatched strength and performance, the Minetruck MT2200 offers greater maneuverability in a compact size.



+ Safety as standard

Minetruck MT2200 comes with vital safety standards that include strategically located emergency shutdown controls, a rear-view and side camera, position safety locks and status alert lights. In addition, the automatic brake function activates when the cabin door opens.



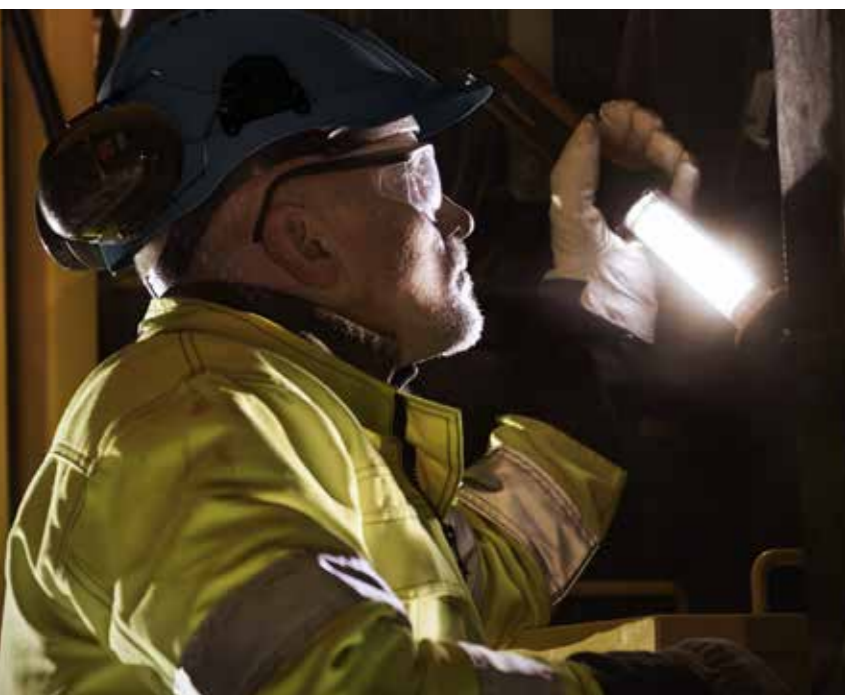
+ Service and maintenance made easy

Primary service points on the Minetruck MT2200 are easily accessible to make daily inspections and regular checks quick and hassle-free. Trunnion caps on hydraulic cylinders, a centrally located electrical cabinet in stainless steel, sturdy handles, anti-skid surfaces and other features are designed for greater uptime and productivity.



+ Operator comfort and ergonomics

The cabin keeps the operator safe and comfortable by minimizing noise levels and maintaining air quality and temperature to minimize worker fatigue, an important factor to consider when it comes to both safety and productivity. The touch-screen colour panel has a user-friendly design with clearly illuminated buttons to make supervision and safe operation easy.



A comprehensive service offering

Even the best equipment needs to be serviced regularly to make sure it sustains peak performance. An Epiroc service solution offers peace of mind, maximizing availability and performance throughout the lifetime of your equipment. We focus on safety, productivity and reliability.

By combining genuine parts and an Epiroc service from our certified technicians we safeguard your productivity - wherever you are.

Technical specifications

Features

Minetruck MT2200 is a safe underground mine truck. It is equipped with many smart features, such as spring applied hydraulic released brakes (SAHR), strategic located emergency stops, and door open brake apply (DOBA) that provides increased safety to the operation and the operator.

Without compromising on safety, Minetruck MT2200 has a high payload capacity and powerful engine, ensuring high productivity, while lowering toxic gases. Through Epiroc's telematics solutions offering you live data, you will be able to monitor your trucks performance and achieve its full potential at all times.

Besides, Minetruck MT2200 is built with the operator's comfort in mind. Having an ergonomically designed cabin, including an air suspended adjustable seat, air conditioning and side-seated canopy with back protection, the machine minimizes operator fatigue, making it easy and enjoyable to work underground.

What is more, the tiltable cabin for easy access to the engine, together with the centrally located service points, and onboard diagnostics continuously showing the operator key data and machine status, provide an easy and safe service of the Minetruck MT2200.

Specifications

Capacities		
Payload capacity		22 000 kg
Motion times		
Dumping + 1 sec		15.5 sec
Weights		
Standard equipped vehicle empty weight	Whole vehicle - empty	23 300 kg
	Axle load, front end	17 070 kg
	Axle load, rear end	6 680 kg
Standard equipped vehicle loaded weight	Whole vehicle - loaded	44 800 kg
	Axle load, front end	20 000 kg
	Axle load, rear end	26 000 kg

*Weights are approximate and given with filled fluids and standard configured vehicle (e.g. standard equipment, 2.2 t/m³ dump box etc.)

Engine

	Standard	Alternative*
Brand/model	Cummins QSL9 EPA Tier 3	Cummins L9 China MEP CS IV
Power rating	242 kW/325 hp @ 2 100 rpm	254 kW/340 hp @ 2 100 rpm
Maximum torque	1 424 @ 1 500 rpm	1 526 N-m/ 1 126 lb-ft
MSHA Part 7 ventilation rate	325.6 m ³ /min	N/A
MSHA Part 7 particulate index	269 m ³ /min	N/A

*MSHA - Mine Safety and Health Administration, USA. Ventilation rate - quantity of additional ventilation air required to dilute raw exhaust emission to a respective level per engine.

**Particulate Index - Calculated air flow for minimum diesel particulate matter (DPM) dilution to a safe level per engine.

Fuel

Fuel tank capacity	379 litres
Fuel filtration, primary, including water trap	7 µm
Fuel filtration, secondary	3 µm

Axles

Brand/model	Okubo Rock Tough 457
Differentials: front	Open
Differentials: rear	Open
Degree of front axle oscillation	20° (+/- 10° on each side)

Brakes

Service/parking/emergency brakes	SAHR
Fully enclosed, force-cooled, multiple wet discs at each wheel end	
Brake apply after 4 sec in neutral	

Tires

Tire size front and rear (treaded)	18.00R25
Tubeless tires design for underground mine service*	
*As applications and conditions vary; Epiroc recommends that the user consults with tire suppliers to obtain the optimum tire selection.	

Electrical system

System voltage: start and accessories	24 V
Mine duty high output alternator	140 Amps
Converter	24/12 V
USB	5V
Driving lights LED	8x40 W
Isolation switch lockout	
Tail and brake lights	
Heated Mirror	

Operator's compartment

Canopy	
Side seated canopy for bi-directional operation with stick steering (ISO ROPS/FOPS)	
Spring suspended seat, with 2 point retractable seat belt	
Cabin (optional)	
Forward seated cabin with steering wheel (ISO ROPS/FOPS)	
Air condition system and pressurizer	
Sliding window on door	
Spring suspended seat, with 2 point retractable seat belt	

Sound and vibration

Inside canopy or cabin	
Sound pressure level cabin, LpA according to ISO 6396:2008	85 dB
Sound level in canopy according to ISO 6396:2008	108 dB
Whole body vibration value according to EN 14253 A(8) w	range of 0.5 to 2 m/s ²
External	
Sound power level, LwA according to ISO 6395:2008	122 dB

Transmission

Brand/model	Dana / 6 000 series
Full power shift, forward/reverse	4 speed
Converter	Single stage with automatic lock up

Main frame

Lock on articulation and raised dump box	
Central manual lubrication system	

Technical specifications

Hydraulic system

System pressure	15.5 MPa
Hydraulic tank capacity	223 liters
Steering cylinder Cr plated (2)	115 mm
Dump cylinders Cr plated (2)	140 mm
Heavy duty gear tire pumps	
Filtration	

Control system

Rear camera
Audio visual reverse alarm
Speedometer
Joystick controls for steering and dump control for side seated bi directional operation



Options

Operator's compartment

Canopy
Side seated low built canopy for bi-directional operation with stick steering (ISO ROPS/FOPS)
Spring suspended seat, with 3 point retractable seat belt
Heater
Cabin (optional)
Cyclone filter
Spring suspended seat, with 3 point retractable seat belt
DOBA (door open brake apply)
Heater
Media player

Main frame

Optional box sizes and tailgate configuration
Teletram dump box*
Wheel chocks and brackets
Central automatic lubrication system
Wiggins fast fuel fill
Wiggins fast hydraulic oil fill
Hand held fire extinguisher
Ansul manually activated fire suppression system with engine shut down
Ansul checkfire automatically activated fire suppression system
Emergency steering
*Teletram dump box changes dumping method and vehicle dimensions (consult with your local customer center)

Control system

Blockout 3rd and/or 4th gears
Certiq telematics solution professional*
*Certain country restriction may exist

Hydraulic system

Electric pump for hydraulic tank fill	24 V
Steering cylinder Ni-Cr plated (2), 115 mm	115 mm

Power unit

Arctic oil
Block heater (240 and 120 V)
Corrosion resistant radiator

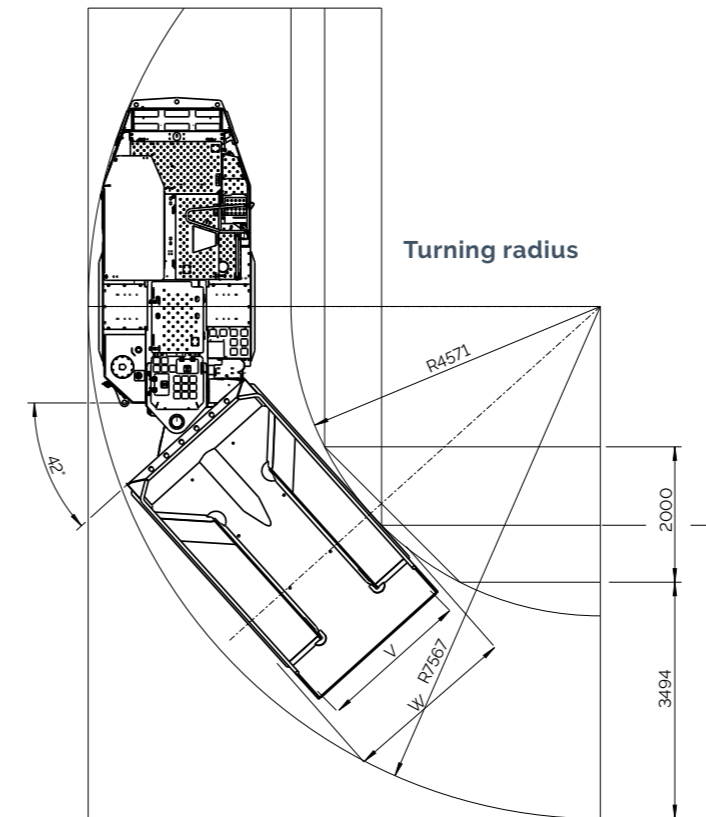
Parts and services

Preventive maintenance kits
Repair and rebuild kits
Upgrade kits
Face mechanics tool set
Shop mechanics tool set
Midlife kits

Grade performance

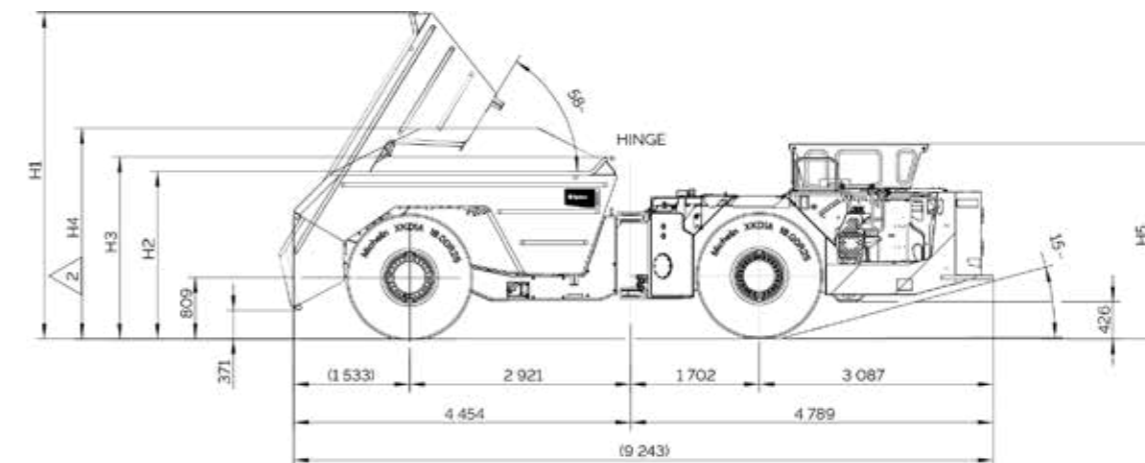
Standard configuration box empty												
%	1st gear	0	2	4	6	8	10	12	14	16	18	20
km/h	1st gear	5.2	5.2	5.2	5.1	5.1	5.1	5.1	5.1	5.1	5.1	5.1
	2nd gear	9.3	9.3	9.2	9.2	9.2	9.1	9.1	9.1	9.0	9.0	9.0
	3rd gear	16.3	16.2	16.1		15.9	15.8	15.7	15.6	15.3	14.8	13.7
	4th gear	29.0	28.6	28.3	28.0	27.1	24.0					
Standard configuration box loaded												
km/h	1st gear	5.2	5.1	5.1	5.1	5.1	5.1	5.0	5.0	5.0	5.0	5.0
	2nd gear	9.2	9.2	9.1	9.0	9.0	8.9	8.9	8.6	8.2	7.2	
	3rd gear	16.1	15.9	15.7	15.5	14.3						
	4th gear	28.2	27.8	20.0								

Technical specifications



- All dimension are shown in millimeters
- All dimensions shown are based on standard vehicle configuration with tire deflection, unloaded

Side view



	Dump boxes with tailgate				Dump boxes without tailgate				Teletram dump box		
	12.3	11.2	10.1	9.2	12.2	11	10	9.2	8.5	10.0	7.9
Volume SAE heaped (m3)	12.3	11.2	10.1	9.2	12.2	11	10	9.2	8.5	10.0	7.9
Volume SAE semi-heaped (M3)	11.3	10.1	9	8	11.3	10.1	9	8.2	7.4	9.3	7.0
Volume SAE struck (M3)	10.2	9	8	7.2	10.3	9	8	7.1	6.3	8.5	6.2
Maximum material density (t/m3)	1.8	2	2.2	2.4	1.8	2	2.2	2.4	2.6	2.0	2.5
Width, over dump box (mm)	(W)	2 400	2 400	2 400	2 400	2 435	2 435	2 435	2 435	2 216	2 216
Width inside dump box (mm)	(V)	2 126	2 126	2 126	2 126	2 275	2 275	2 275	2 275	2 023	2 023
Dump position: box height, max (mm)	(H1)	4 511	4 420	4 310	4 235	4 530	4 405	4 300	4 215	N/A	N/A
Tramming position: dump box height (mm)	(H2)	2 466	2 350	2 220	2 130	2 485	2 330	2 205	2 106	2 020	2 777
Tramming position: spillguard height (mm)	(H3)	2 645	2 530	2 400	2 310	2 665	2 510	2 385	2 285	2 120	2 814
Height heaped load (mm)	(H4)	2 946	2 830	2 705	2 610	3 050	2 895	2 770	2 670	2 585	3 233
Canopy	2 523	(H5)									
Cabin	2 569	(H5)									
Canopy low-profile	2 384	(H5)									

United in performance. Inspired by innovation.

Performance unites us, innovation inspires us, and commitment drives us to keep moving forward. Count on Epiroc to deliver the solutions you need to succeed today and the technology to lead tomorrow.
[epiroc.com](https://www.epiroc.com)

