

Simba M6

Hydraulic production drill rig with I-beam mounted drilling unit for long-hole mining and medium-to-large holes ranging from 51 to 178 mm in diameter



High precision solution

The sturdy Simba M6 is a long-hole production drill rig for medium to large-drift mining. It accommodates a range of drill bits, rock drills and in-the-hole hammers to adapt to your specific needs. The rig operator enjoys excellent visibility and enhanced safety in the comfortable cabin. When you seek a hard-working, high-precision solution for long-hole drilling, rely on the powerful Simba M6.

+ Main benefits

Easy setup and steady, accurate drilling thanks to the I-frame with pendulum arm which has the drilling unit mounted on it

Optimized performance, hole quality and drill steel economy with a wide range of top hammers and in-the-hole hammers to best suit your operation

Precise and productive thanks to our acclaimed Rig Control System (RCS), tele-remote control option and smart automated single/multi-hole drilling functions

Excellent operator visibility during drilling through the I-beam mounted drilling unit facing the cabin

+ Battery driveline benefits



The 150 kW electric drive train of the Simba M6 Battery emits 80% less heat during tramping than its diesel-driven counterpart's 120 kW diesel engine.



The complete drive train and battery are based on commercial, well-tested components that enable high performance and efficiency.



Automatic battery management and the industry's safest battery solution make it ideal for optimal production in demanding underground work environments.

The bit changer increases efficiency and keeps the operator at a safe distance from the drilling zone

The cabin is ROPS and FOPS certified for a safe, ergonomic operating environment

The reverse camera enhances visibility and safety while transporting the drill rig



Fast and precise rock drilling

Simba M6 models are built for fast on-site positioning and accurate hole placement. Intelligent functions on these high-performance rigs boost efficiency and productivity while making the operator's job safer and easier.



+ Safety

The Simba M6 is designed with safety in mind. The rig operator sits in a ROPS and FOPS certified cabin which offers excellent visibility and comfort. Barrier sensors protect the operator and other workers from rotating parts during automatic drilling.



+ Automation

Boost your productivity by equipping your Simba M6 with smart automated functions such as ABC Regular or ABC Total. Your Simba M6 can then effectively continue to drill unattended throughout personnel breaks and shift changes. With the tele-remote control function, the rig operator can safely and comfortably command the rig from a distance.



+ Epiroc Rig Control System

We introduced the first version of our computerized drill rig control system in 1998 to take the market by storm. Throughout the years, the Rig Control System (RCS) has been further advanced and refined to include increasingly sophisticated functions informed by practical work experience and an on-going dialogue with customers. More than 3 000 RCS-equipped rigs are currently in operation the world over. At Epiroc, we continue to drive innovative development in the mining and tunneling industry.



A comprehensive service offering

Even the best equipment needs to be serviced regularly to make sure it sustains peak performance. An Epiroc service solution offers peace of mind, maximizing availability and performance throughout the lifetime of your equipment. We focus on safety, productivity and reliability.

By combining genuine parts and an Epiroc service from our certified technicians, we safeguard your productivity – wherever you are.

Technical specifications

● - Standard ○ - Option
A - Simba M6 **B** - Simba M6-ITH **C** - Simba with battery driveline

| Drilling system | A | B | C | Hydraulic system | A | B | C |
|---|---|---|---|--|---|---|---|
| COP 1838* | ○ | | ○ | Low oil level indicator and shut-down | ● | ● | ● |
| COP 1838MUX*, COP 1838HUX* | ○ | | ○ | Smart oil leakage shut-down system | ● | ● | ● |
| COP 2550UX* | ○ | | ○ | Oil temperature gauge on oil tank, electronically supervised | ● | ● | ● |
| COP 3060MUX | ○ | | ○ | Hydraulic oil thermostat | ● | ● | ● |
| COP 4050MUX | ○ | | ○ | Water/oil cooler in stainless steel | ● | ● | ● |
| COP 44 to COP 64 | | ○ | | Filtration 16 µm | ● | ● | ● |
| COP 35 | | | | Oil filter indicator | ● | ● | ● |
| Dry drilling system | ○ | | ○ | Mineral hydraulic oil | ● | ● | ● |
| Collar Pipe Insertor (CPI) | ○ | | ○ | Electrical oil filling pump | ● | ● | ● |
| Thread lubrication kit | ○ | ○ | ○ | Heater kit for hydraulic oil tank, diesel engine and electric motors | ○ | ○ | ○ |
| Bit changer | ○ | | ○ | Biodegradable hydraulic oil | ○ | ○ | ○ |
| Water mist flushing, external water and air supply (hydraulic oil cooled by water cooler) | ○ | ● | ○ | Nr-Cr plated piston rods (limited selection on request) | ○ | ○ | ○ |
| Water mist flushing, external water and air supply (hydraulic oil cooled by air fan) | ○ | | ○ | | | | |
| Hole blowing kit | ○ | | ○ | | | | |
| Rock drill lubrication warning kit | ● | | ● | | | | |
| Boom/drilling unit | A | B | C | Control system | A | B | C |
| Automatic lubrication for drilling and positioning unit | ○ | ○ | ○ | Epiroc Rig Control System (RCS) | ● | ● | ● |
| Central lubrication for drilling and positioning unit | ● | ● | ● | Advanced Boom Control (ABC) Regular | ○ | ○ | ○ |
| Rod Handling System, RHS 17 (17*1 rods) mechanized drilling up to 32 m | ○ | | ○ | Advanced Boom Control (ABC) Total | ○ | ○ | ○ |
| Rod Handling System, RHS 27 (27*1 rods) mechanized drilling up to 51 m | ○ | ○ | ○ | Breakthrough automatic stop | ○ | ○ | ○ |
| Rod Handling System, RHS 35 (35*1 rods) mechanized drilling up to 63 m | | ○ | | Underground manager pro | ○ | ○ | ○ |
| Adaptable to 4', 5' and 6' rods | ● | | ● | Drill plan handling | ○ | ○ | ○ |
| Adaptable to 5' and 6' rods | | ● | | Drill plan handling with raise view | ○ | ○ | ○ |
| 2 rear and 2 front stinger | ● | ● | ● | Full drilling data handling | ○ | ○ | ○ |
| | | | | Measure While Drilling (MWD) | ○ | ○ | ○ |
| | | | | Void detection | ○ | | ○ |
| | | | | Remote cradle control/remote feed control | ○ | ○ | ○ |
| | | | | Rig Remote Access (RRA) | ○ | ○ | ○ |
| | | | | Mobile tele remote/multi tele remote | ○ | ○ | ○ |
| | | | | Remote operating kit | ○ | ○ | ○ |
| | | | | Additional panel | ○ | ○ | ○ |
| | | | | Remote controlled camera on tripod with monitor in cabin | ○ | ○ | ○ |
| | | | | Total station navigation | ○ | ○ | ○ |
| | | | | Certiq professional | ○ | ○ | ○ |
| | | | | Kidney filter | ○ | ○ | ○ |
| Feed | A | B | C | Electrical system | A | B | C |
| BMH 200-series 3 143 mm, 3 448 mm, 3 753 mm | ○ | | ○ | Total installed drilling power 118 kW (main motors 2x55 kW)* | ● | ● | ● |
| BMH 200-series (extractor) 3 348 mm, 3 653 mm, 3 958 mm* | ○ | | ○ | Total installed drilling power 63 kW (main motor 1x55 kW) | | ● | ○ |
| BMH 200-series 3 316 mm, 3 621 mm, 3 926 mm** | | | ○ | Total installed drilling power 158 kW (main motor 1x95 kW, equipped with booster compressor) | | ○ | ○ |
| * +55 mm for COP 2550 UX, +240 mm for COP 4050 MUX. | | | | Total installed drilling power 158 kW (main motors 2x75 kW)** | ○ | ○ | ○ |
| ** +138 mm for hammer guide. | | | | Electric system 24 V | ● | ● | ● |
| | | | | Batteries 2x125 Ah | ● | ● | ● |
| | | | | 700 V Battery 280 Ah | | | ● |
| | | | | Voltage 400-1 000 V 50/60 Hz | ● | ● | ● |
| | | | | Starting method star/delta (400-690 V) | ● | ● | ● |
| | | | | Soft start of main electrical motors (not for 1000 V) | ○ | ○ | ○ |
| | | | | Electronic overload protection for electric motors | ● | ● | ● |
| | | | | Digital voltmeter/amperage meter in electric cabinet | ● | ● | ● |
| | | | | Electric outlet for accessories, 16 A (CE)/32 A (CE) | ○ | ○ | ○ |
| | | | | Extra transformer 15 kVA | ○ | ○ | ○ |
| | | | | Transformer for charging 100 kW | | | ● |
| | | | | PC4 or PC5 plug/socket | ○ | ○ | ○ |
| | | | | Phase sequence and eart fault indicator | ● | ● | ● |
| | | | | Battery charger | ● | ● | ● |
| | | | | Dual controls for cable reel | ● | ● | ● |
| | | | | Limit switch for cable reel with signal lamp and brake connection | ● | ● | ● |
| | | | | Stainless steel electrical enclosure | ○ | ○ | ○ |
| | | | | Tramming lights 8x22 LED, 24 V DC | ● | ● | ● |
| | | | | Working lights 4x150 LED, 24 V DC | ● | ● | ● |
| | | | | Illuminated stairs for platform LED | ● | ● | ● |

* Not applicable when booster compressor is installed on ITH drill rigs.

* Depending on selected rock drill.

** Only with COP 4050 or double GAR 30 compressors or when DCT installed.

Technical specifications

● - Standard ○ - Option
A - Simba M6 **B** - Simba M6-ITH **C** - Simba with battery driveline

| Carrier | A | B | C |
|---|---|---|---|
| Deutz TCD 2013 L04 2 V stage III A Tier 3 (120 kW) | ○ | ○ | |
| Deutz TCD 41 L04 stage IV/Tier 4 F (115 kW) | ○ | ○ | |
| Deutz TCD 2012 L06 2 V stage III A Tier 3 (155 kW) | ○ | ○ | |
| Deutz TCD 6.1 L06 stage IV/Tier 4 F** | ○ | ○ | |
| Traction motor 150 kW | | | ● |
| Front axle DANA spicer 123/90 | ○ | ○ | ○ |
| Rear axle DANA spicer 123/90 ±8° oscillation | ○ | ○ | ○ |
| Articulated steering ±41° steering angle | ● | ● | ● |
| Four-wheel drive | ● | ● | ● |
| Hose/cable guiding at water/cable reel | ○ | ○ | ○ |
| Automatic differential lock on front axle, limited slip | ● | ● | ● |
| Tires 12xR24 | ● | ● | ● |
| Rig alignment laser | ● | ● | ● |
| Front and rear jacks | ● | ● | ● |
| Fuel tank, volume 110 l | ● | ● | |
| Central grease point | ● | ● | ● |
| Fire suppression system ANSUL (manual or automatic) | ○ | ○ | ○ |
| Fire suppression system FORREX (manual or automatic) | ○ | ○ | ○ |
| Hot climate tramping kit | ○ | ○ | ○ |
| Rig washing kit* | ○ | ○ | ○ |
| Manual lubrication kit | ○ | ○ | ○ |
| Boot washing kit* | ○ | ○ | ○ |

*Not applicable when equipped with dry drilling system.
 **Maximum ambient temperature 25°.

| Cabin (optional) | A | B | C |
|---|---|---|---|
| ROPS and FOPS certified cabin | ● | ● | ● |
| Mounting height -140 mm | ○ | ○ | ○ |
| Cabin lift/tilt system, 375 mm/15° | ○ | ○ | ○ |
| Swingable seat for drilling and tramping | ○ | ○ | ○ |
| Front window 22 mm (P8B safety classified) | ○ | ○ | ○ |
| Reversing camera with monitor | ○ | ○ | ○ |
| 12 V outlet | ● | ● | ● |
| Joystick-controlled spotlights left and/or right, 70 W | ○ | ○ | ○ |
| FOPS-approved grizzly bar for front window | ○ | ○ | ○ |
| Low-designed cabin, for seated operator cabin height 2 735 mm | ○ | ○ | ○ |
| Media player | ○ | ○ | ○ |
| Air condition | ● | ● | ● |
| Heating function for air conditioning (water transferred) | ○ | ○ | ○ |
| Electrical heater, 1.2 kW, 230 V (CE) | ○ | ○ | ○ |
| Electrical heater, 10 kW, 700 V DC (CE) | | | ○ |
| Cabin body made of stainless steel | ○ | ○ | ○ |

| Protective roof | A | B | C |
|--|---|---|---|
| FOPS approved | ● | ● | ● |
| Swingable seat for drilling and tramping | ○ | ○ | ○ |
| Stainless steel | ○ | ○ | ○ |
| Joystick-controlled spotlights left and/or right, 70 W | ○ | ○ | ○ |

| Tramping speed | |
|--|----------|
| On flat ground (rolling resistance 0.05) | >15 km/h |
| On incline 1:8 | >5 km/h |

* Electric driveline >12 km/h

| Drifter rods/pipes | | | |
|--------------------|-----------------|---------------|-----------------------------|
| Rock drill | Rod/Pipe | Guide tubes | Hole diameter (mm) |
| COP 1838* | R32 Speedrod | TDS 45 | 51-64 |
| COP 1838+MUX | T38 Speedrod | TDS 54/TDS 64 | 64-76 |
| COP 1838+HUX | T45 Speedrod | TDS 64/TDS 76 | 76-89 |
| | TDS 45 | N/A | 48-76 |
| | TDS 54 | N/A | 64-89 |
| | TDS 64 | N/A | 70-89 |
| COP 2550UX | T51 | TDS 76 | 89-115 |
| | TDS 64 | N/A | 76-115 |
| | TDS 76 | N/A | 89-102 |
| | TDS 76 | N/A | 89-115 (ST58 shank adapter) |
| COP 3060 | TDS 76 | N/A | 89-102 |
| | TDS 87 | N/A | 102-115 |
| COP 35 | TAC 76/89 | N/A | 88-105 |
| COP 44 | TAC 76/89 | N/A | 110-125 |
| COP 54 | TAC 89 (TDS102) | N/A | 134-152 |
| COP 64 | TAC 89 (TDS102) | N/A | 156-178 |
| COP 4050 | TDS 76 | N/A | 89 |
| | TDS 87 | N/A | 102-147 |

| Recommended cable size and length | | | | | |
|-----------------------------------|--------|-----------------|---------------|------------|----------------|
| Voltage | Type | Dimension (mm²) | Diameter (mm) | Length (m) | Length ITH (m) |
| 380-400 V | Buflex | 3x185+3G35 | 56 | 80 | 65 |
| 440-500 V | Buflex | 3x150+3G25 | 52 | 120 | 70 |
| 550 V | Buflex | 3x120+3G25 | 46 | 120 | 95 |
| 660-690 V | Buflex | 3x95+3G16 | 45 | 150 | 125 |
| 1 000 V | Buflex | 3x50+3G10 | 33 | 200 | 200 |

Recommendations are given for surrounding temperature of 40 °C and up to a height of 2 000 m. Cable dimension for battery version depends on charging cycle.

| Noise and vibration | |
|--|---|
| Operator sound pressure level in canopy, drilling, free field (ISO 11201) | 104±6 dB(A) re 20 uPa |
| Operator sound pressure level in cabin, drilling, free field (ISO 11201) | 75±3 dB(A) re 20 uPa 75±3 dB(A) re 20 uPa (DH) |
| Operator sound pressure level working close to machine, drilling, free field | 104±6 dB(A) re 20 uPa |
| Peak C-weighted instantaneous sound pressure level (EN16228) | Less than 130 dB |
| Sound power level (ISO 3747), drilling, free field | 128 dB(A) re 1 pW |
| Vibration levels seated, drilling (ISO 2631-1) | 0.07±0.07 m/s² |
| Vibration levels standing, drilling (ISO 2631-1) | 0.07±0.07 m/s² |

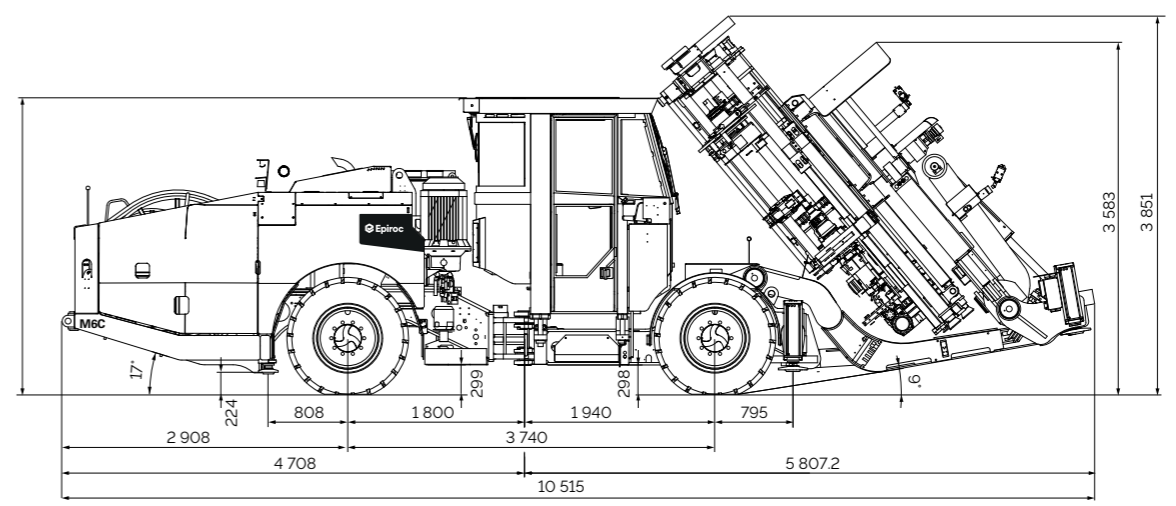
| Recommended drift size | | |
|------------------------|-------|----------------|
| Feed | Rod | Minimum (HxW) |
| BMH 214/234 | 1 220 | 4 600x3 600 mm |
| BMH 215/235 | 1 525 | 4 900x3 900 mm |
| BMH 216/236 | 1 830 | 5 200x4 200 mm |

| Dimensions | | | |
|----------------------------|------------------|------------------|------------------|
| Measurement | Simba M6 | Simba M6 ITH | Simba M6 Battery |
| Width | 2 350 mm | 2 350 mm | N/A |
| Height with cabin | 3 100 mm | 3 100 mm | N/A |
| Height roof up/down | 3 000/2 300 mm | 3 000/2 300 mm | N/A |
| Length tramping | 10 500/11 000 mm | 10 500/11 000 mm | N/A |
| Ground clearance | 265 mm | 265 mm | N/A |
| Turning radius outer/inner | 7 300/4 300 mm | 7 300/4 300 mm | N/A |

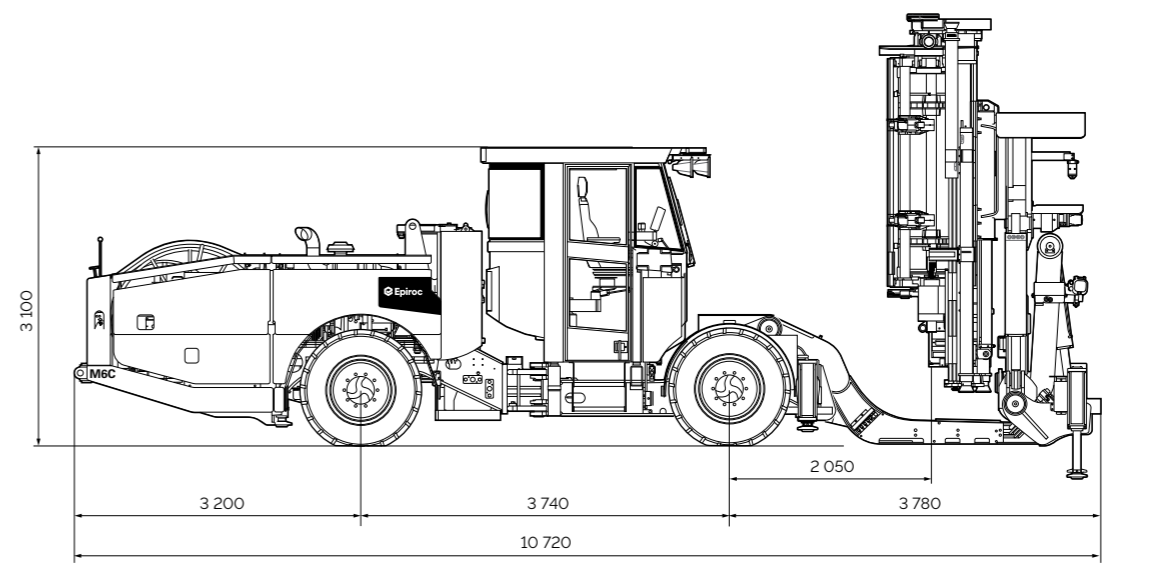
| Gross weight (depending on configuration) | | | |
|---|-----------|-----------|-------------|
| Rig type | Total | Boom side | Engine side |
| Simba M6 | 29 000 kg | 18 000 kg | 11 000 kg |
| Simba with battery driveline | N/A | N/A | N/A |

Technical specifications

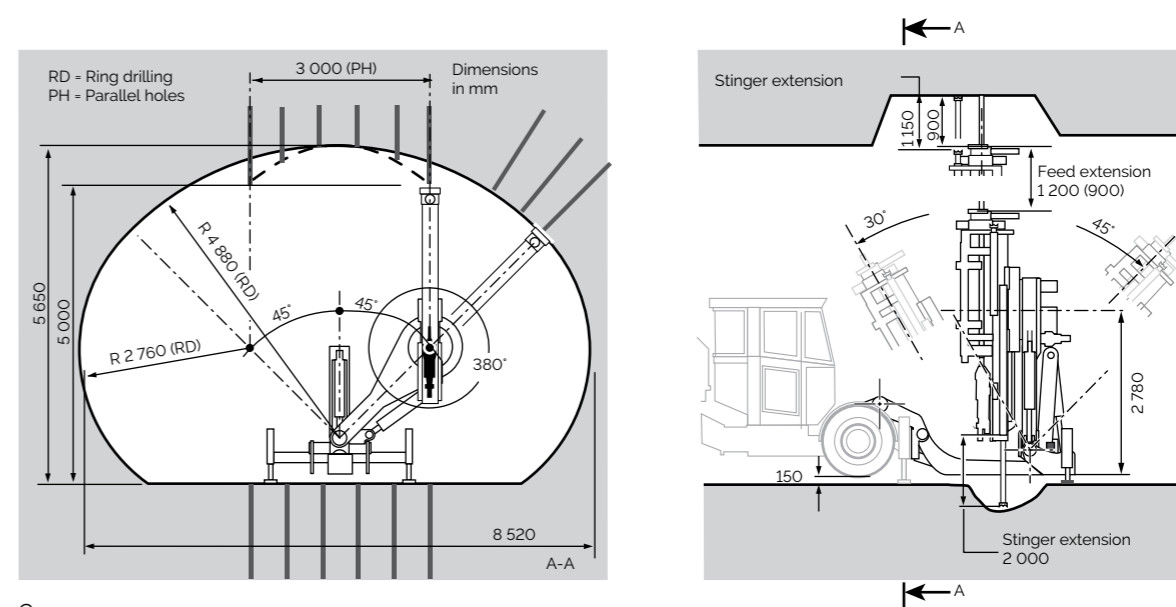
Dimensions in millimeters



| Simba M6/Simba M6-ITH. | |
|--|-------------------------------------|
| 3 023 (std cab with cab attachment height = 200) | (2 733 for low cab) |
| (2 883 for std cab with cab attachment height = 60) | (2 961 for highest protection roof) |
| (3 273 for std cab with cab attachment height = 450) | (2 261 for lowest protection roof) |
| (3 423 for std cab with cab attachment height = 600) | |



Simba M6-ITH, equipped with booster compressor.



Coverage area.



9869.0054.01d 2020-12-09 Orebro, Sweden. Legal Notice: © Copyright 2018, Epiroc Rock Drills AB, Orebro, Sweden. All product names in this publication are trademarks of Epiroc. Any unauthorized use or copying of the contents or any part thereof is prohibited. Illustrations and photos may show equipment with optional extras. No warranty is made regarding specifications or otherwise. Specifications and equipment are subject to change without notice. Consult your Epiroc Customer Center for specific information.

United in performance. Inspired by innovation.

Performance unites us, innovation inspires us, and commitment drives us to keep moving forward. Count on Epiroc to deliver the solutions you need to succeed today and the technology to lead tomorrow.
epiroc.com

