

# Terrah TS100 PEC

Underground personnel carrier transporting up to 38 passengers



# Safely transporting operators

The Terrah TS100 PEC underground personnel carrier is designed to safely transport operators to various underground locations. It plays a central role in streamlining operations, by enabling efficient and secure transportation of personnel. Offered in two configurations, the Terrah TS100 PEC can accommodate 30 or 38 passengers, depending on your needs. The vehicle is equipped with multiple advanced safety features, ensuring high passenger and operator safety.

## Built to deliver. Designed to adapt.

The Terrah Series of utility vehicles are designed to maximize modularity, productivity and safety in small to medium-sized underground mining and civil construction tunnels. Built on a legacy of reliable, durable products now enhanced with Epiroc technology, the Terrah Series supports customers throughout their operations.

Fully enclosed air-conditioned passenger cabin

Multiple-rear facing cameras

High-power engine reducing travel time

Terrah electronic controller offers efficient machine control and data logging from the multi-functional display

ISO FOPS and ROPS-approved operator and passenger compartments, with door interlock for increased safety

Illuminated stairs for improved visibility when entering and exiting the vehicle

## + Main benefits

**Passenger safety** – equipped with FOPS and ROPS-approved compartments, eight well lit doors for fast and secure exits, door-open-brake-apply function, along with suspension seats with 4-points seatbelts designed to absorb shocks and vibrations.

**Productivity** – the high-capacity passenger compartment enables streamlined workflows, reduced travel times, and simplified logistics.

**Performance** – the powerful drivetrain provides reliable performance and maintains high speed even on steep inclines.



Failsafe SAHR brakes at all wheels

Fleet monitoring and data solutions

Signaling system for safe communication between passenger and operator compartment



**Engine**

	Standard	Alternative*
Brand/model	Deutz TCD6.1 L6 Tier III	Deutz TCD914 L6 Tier III
Power at sea level	150 kW @ 2300 rpm	129.2 kW @ 2300 rpm
Cooling	Liquid (Glycol/water)	Air
Engine control	Deutz EMRIII	Deutz EMRII

\* Only available with 38 passenger

**Fuel**

Fuel tank capacity	140 liters
--------------------	------------

**Exhaust system**

Catalytic exhaust gas purifier	●
Fume diluter	●
Diesel Particulate Filter (DPF)	○

**Transmission**

Brand/model	Dana
Dana 32000 series power shift transmission	●

**Axles**

Brand/model	Dana/113
Differential: front open	●
Differential: front, no-spin	○
Differential: rear open	●

**Brakes**

Wetted fully enclosed immersed brake disks	●
Spring Applied Hydraulic Released (SAHR) fail safe brakes - park/emergency	●
Manually activated park/emergency brake valve	●
Foot pedal activated hydraulic service brake	●

**Specifications**

Capacities		
Tramming capacity	30 passengers	38 passengers
Weight*		
Weight, empty	16 600 kg	15 800 kg
Axle load front, loaded	7 805 kg	8 150 kg
Axle load rear, loaded	11 110 kg	10 500 kg

\*Weights are approximate and given with filled fluids and standard configurated vehicle

**Tires**

Tire size front and rear	1200 x 20
Air filled tires	●
Polyurethane foam filled tires	○

**Performance**

Maximum speed on level ground	
Gear 1	3 km/h
Gear 2	5 km/h
Gear 3	11 km/h
Gear 4	24 km/h

**Electrical system**

System voltage	24V
Alternator	200 Amps
Battery	2 x 110 Ah
Lockable double pole battery isolator switch	●
Engine starter isolation switch	○
Electric starter	●
Key switched ignition	●
Inlet plug for jump start	○
Directionally controlled drive lights	●
4 x front headlight LED	●
2 x rear drive lights LED	●
Amber rotating light	●
Reverse warning light and alarm	●
Brake lights	●
Orange turning direction indicator lights	●
Red and green marker lights	○
Illuminated stairs	●

**Control system**

Terrah electronic controller	●
Robust water-resistant digital display	●
On-screen push button interface	●
Power Distribution Modules (PDM)	●
Electronic pressure sensors	●
Speedometer	●
Overspeed control	●
Decline speed control	●
Delayed engine shutdown	○
Inclinometer	●
Block out 3rd or 4th gear	○
Door Open Brake Applied (DOBA)	●
Neutral gear brake (NBA)	●
CAS interface	○
Seat belt switch interlock	○
Relay electrical switching*	○
Mechanical pressure gauges**	○
Mechanical control panel switches**	○

\*Only with TCD914 L6 engine  
\*\*Only with relay switching

**Digital products**

Fleet monitoring with Fleet* on My Epiroc	●
Machine and fleet data via APIs	●

**Hydraulic system**

Gear pumps: cooling, brakes, steering and air conditioning	●
System pressure up to 210 Bar	●
11 µm return line filter	●

**Safety system**

3 x emergency stop buttons	●
2 x 9 kg handheld fire extinguishers	●
ANSUL manual dry fire suppression system	○
ANSUL FIRECHECK automatic dry fire suppression system	○

**Main system**

Steel fabrication construction	●
Bolt-on operating cabin	●
Front axle oscillation of 5° both sides	●
Integral hydraulic and fuel tanks	●
Centre articulated steering	●
Two double acting hydraulic steering cylinders (pull/push)	●
Steering lock bar	●
3-point of contact for boarding/exit	●
Front towing attachment with towing pin	●
30 passenger air conditioned rear compartment with windows and air filtering	●
38 passenger open rear compartment without windows	○
4-point passenger seat belts	●
Central automatic lubrication system	●
Central manual lubrication system	○
Wiggins fast fuel and oil filling system	○
Wiggins central service points	○
2 x stop blocks (wheel chocks)	●

**Operator's compartment**

FOPS- and ROPS certified	●
Two person (1 x driver and 1 x passenger)	●
Windows, front window washers and wipers	●
Temperature and fan speed adjustable air conditioner	●
Canopy (no windows or air conditioner)	○
Steel grid protection over windows	●
Steering wheel	●
Suspension and height adjustable operator's seat	●
Canvas seat covers	○
Driver and passenger seats fitted with 2-point seat belts	●
3-point retractable seat belts	○
Multiple external cameras with a monitor, split screen	●

**Technical documentation**

Instruction manual, one hardcopy	●
Spare parts manual, one hardcopy	●
PDF manuals on USB flash drive, two per machine	●

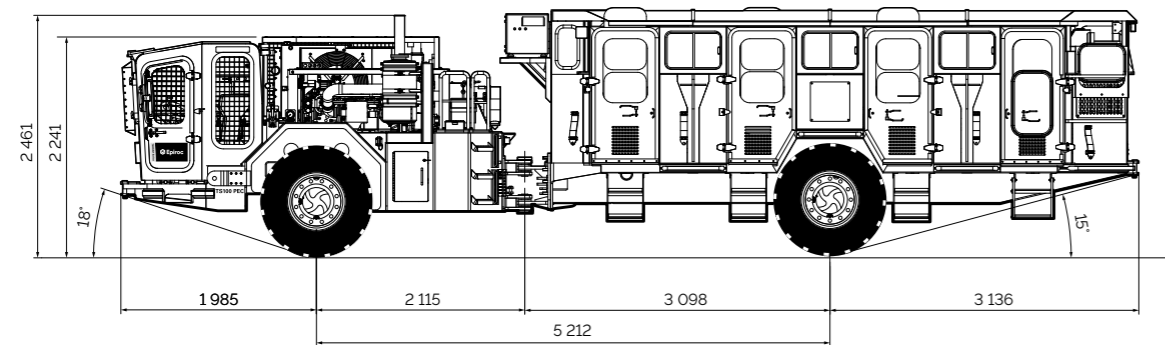
**Painting and marking**

Standard painting and taping	●
------------------------------	---

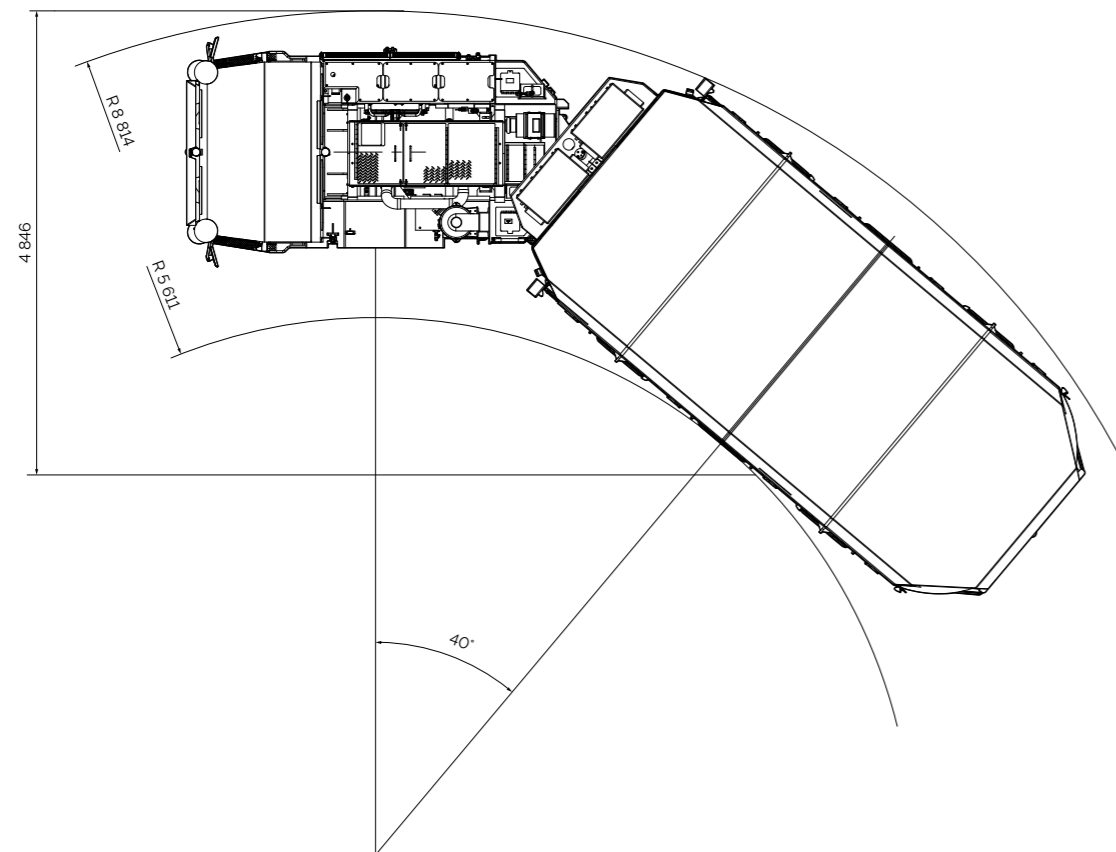
## Technical specifications

### Measurements

The dimensional drawings are shown in millimeters, and based on the standard vehicle configuration.

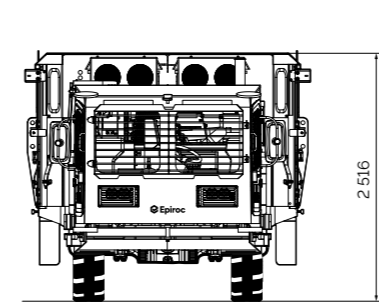


Left side view of Terrah TS100 PEC configured with a 30 passenger compartment

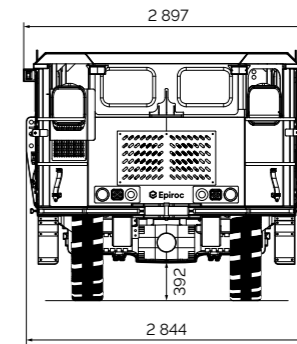


Turning radius of Terrah TS100 PEC

## Technical specifications



Front view of Terrah TS100 PEC



Rear view of Terrah TS100 PEC

### A comprehensive service offering

Even the best equipment needs to be serviced regularly to make sure it sustains peak performance. An Epiroc service solution offers peace of mind, maximizing availability and performance throughout the lifetime of your equipment. We focus on safety, productivity and reliability.

By combining genuine parts and an Epiroc service from our certified technicians, we safeguard your productivity - wherever you are.



# United in performance. Inspired by innovation.

Performance unites us, innovation inspires us, and commitment drives us to keep moving forward. Count on Epiroc to deliver the solutions you need to succeed today and the technology to lead tomorrow.  
**[epiroc.com](https://www.epiroc.com)**

