

# Terrah TS100 SCL

Underground utility vehicle with a scissor lift platform, offering an elevation height of 3.5–5 meters



# Elevating the performance

Terrah TS100 SCL is an underground vehicle with a rear-mounted scissor lift platform. It has a high lifting capacity of 3 tonnes and maximum platform height of 5 meters, making it ideal for underground operations. Thanks to the robust design and multiple safety systems, safe and effective work at height can be performed. In addition, Terrah TS100 SCL scissor lift can be fitted with an articulated crane and additional accessories to boost your productivity.

Terrah electronic controller offers efficient machine control and data logging from the multi-functional display

Rear facing cameras for improved visibility

Air-conditioned, ISO FOPS and ROPS-approved operator compartment, with door interlock

## + Main benefits

**Safety** – the barricaded platform offers a secure working area with safety features including the anti-crush system, intuitive controls with a dead man's switch, ground-level emergency lowering, and scissor stop blocks preventing unexpected platform movements.

**Productivity** – with minimal setup time and a large area for transporting equipment, the high-capacity platform can carry 6 tonnes and be effectively utilized for multiple tasks.

**Reliability** – engineered for robustness and reliable operation at significant heights, the platform lifts up to 3 tonnes and maintains a consistent elevation speed powered by two single-stage cylinders.

## Built to deliver. Designed to adapt.

The Terrah Series of utility vehicles are designed to maximize modularity, productivity and safety in small to medium-sized underground mining and civil construction tunnels. Built on a legacy of reliable, durable products now enhanced with Epiroc technology, the Terrah Series supports customers throughout their operations.





### Engine

	Standard	Alternative 1	Alternative 2
Brand/model	Deutz TCD914 L6 Tier III	Deutz BF6L914 Tier II	Deutz TCD6.1 Tier III
Power at sea level	130 kW @ 2300 rpm	92 kW @ 2300 rpm	160 kW @ 2300 rpm
Cooling	Air	Air	Liquid (glycol/water)
Engine control	Deutz EMRII	Deutz EMRII	Deutz EMRIII

### Fuel

Fuel tank capacity	140 liter
--------------------	-----------

### Exhaust system

Catalytic exhaust gas purifier	●
Fume diluter	●
Diesel Particulate Filter (DPF)	○

### Transmission

Brand/model	Dana
Dana/20000 series power shift transmission	●
Dana/32000 series power shift transmission*	○
* Only with TCD6.1 L6 engine	

### Axles

Brand/model	Dana/113
Differential: front open	●
Differential: front, no-spin	○
Differential: rear open	●

### Brakes

Wetted fully enclosed immersed brake disks	●
Spring Applied Hydraulic Released (SAHR) fail safe brakes - park/emergency	●
Manually activated park/emergency brake valve	●
Foot pedal activated hydraulic service brake	●

### Specifications

Capacities	
Tramming capacity	10 000 kg
Lifting capacity	3 000 kg (3.5 m) / 2 000 kg (5 m)
Weight*	
Weight, empty	11 750 kg
Axle load front, loaded	7 250 kg
Axle load rear, loaded	14 500 kg
*Weights are approximate and given with filled fluids and standard configured vehicle	

### Tires

Tire size front and rear	1200 x 20
Air filled tires	●
Polyurethane foam filled tires	○

### Performance

Maximum speed on level ground*	
Gear 1	5 km/h
Gear 2	11 km/h
Gear 3	27 km/h

\*For standard transmission

### Electrical system

System voltage	24V
Alternator	80 Amps
Battery	2 x 110 Ah
Lockable double pole battery isolator switch	●
Engine starter isolation switch	○
Electric starter	●
Key switched ignition	●
Inlet plug for jump start	○
4 x front headlight LED	●
2 x rear drive lights LED	●
Directionally controlled drive lights	●
Amber rotating light	●
Reverse warning light and alarm	●
Brake lights	●
Orange turning direction indicator lights	●
Red and green marker lights	○

### Control system

Terrah electronic controller	●
Robust water-resistant digital display	●
On-screen push button interface	●
Power Distribution Modules (PDM)	●
Electronic pressure sensors	●
Speedometer	●
Overspeed control	●
Decline speed control	●
Delayed engine shutdown	○
Inclinometer	●
Block out 3rd or 4th gear	○
Door Open Brake Applied (DOBA)	●
Neutral gear brake (NBA)	●
CAS interface	○
Seat belt switch interlock	○
Relay electrical switching*	○
Mechanical pressure gauges**	○
Mechanical control panel switches**	○
*Only available with air-cooled engine	
**Only with relay switching	

### Digital products

Fleet monitoring with Fleet+ on My Epiroc	○
Machine and fleet data via APIs	○

### Hydraulic system

Gear pumps: brakes and steering	●
Auxiliary hydraulic power take-off (PTO): Gear pump	●
System pressure up to 310 Bar	●
11 µm return line filter	●

### Safety system

3 x emergency stop buttons	●
2 x 9 kg handheld fire extinguishers	●
ANSUL manual dry fire suppression system	○
ANSUL FIRECHECK automatic dry fire suppression system	○

### Main system

Steel fabrication construction	●
Bolt-on operating cabin	●
Front axle oscillation of 5° both sides	●
Integral hydraulic and fuel tanks	●
Centre articulated steering	●
Two double acting hydraulic steering cylinders (pull/push)	●
Steering lock bar	●
3-point of contact for boarding/exit	●
Front towing attachment with towing pin	●
Rear towing attachment with towing pin	○
Platform height: 3.5 m	●
Platform height: 5 m	○
Basket side height: 1 000 mm	●
Basket side height: 800 mm	○
Central automatic lubrication system	●
Central manual lubrication system	○
Wiggins fast fuel and oil filling system	○
Wiggins central service points	○
2 x stop blocks (wheel chocks)	●

### Operator's compartment

FOPS- and ROPS certified	●
Two person (1 x driver and 1 x passenger)	●
Windows, front window washers and wipers	●
Temperature and fan speed adjustable air conditioner	●
Canopy (no windows or air conditioner)	○
Steel grid protection over windows	●
Steering wheel	●
Suspension and height adjustable operator's seat	●
Canvas seat covers	○
Driver and passenger seats fitted with 2-point seat belts	●
3-point retractable seat belts	○
Rear view camera and monitor, spit screen	●

### Crane

PALFINGER, PK6500, 1 030 kg @ 5.6 m	○
-------------------------------------	---

### Technical documentation

Instruction manual, one hardcopy	●
Spare parts manual, one hardcopy	●
PDF manuals on USB flash drive, two per machine	●

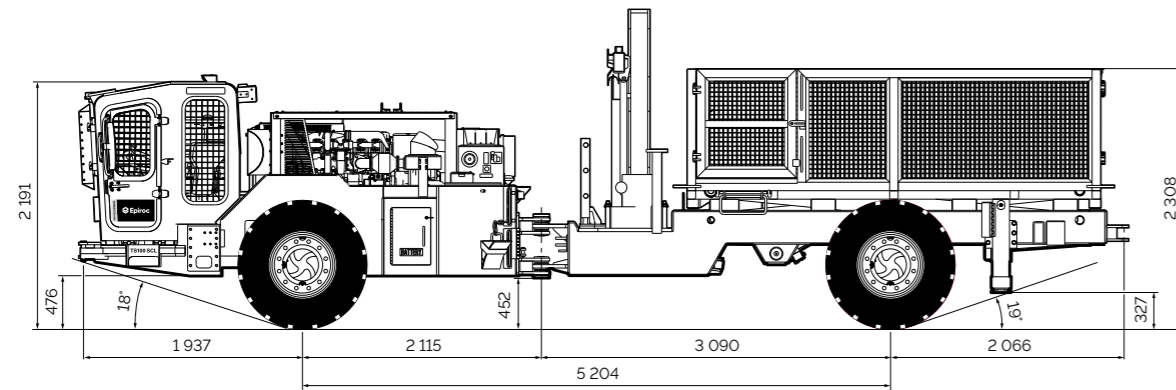
### Painting and marking

Standard painting and taping	●
------------------------------	---

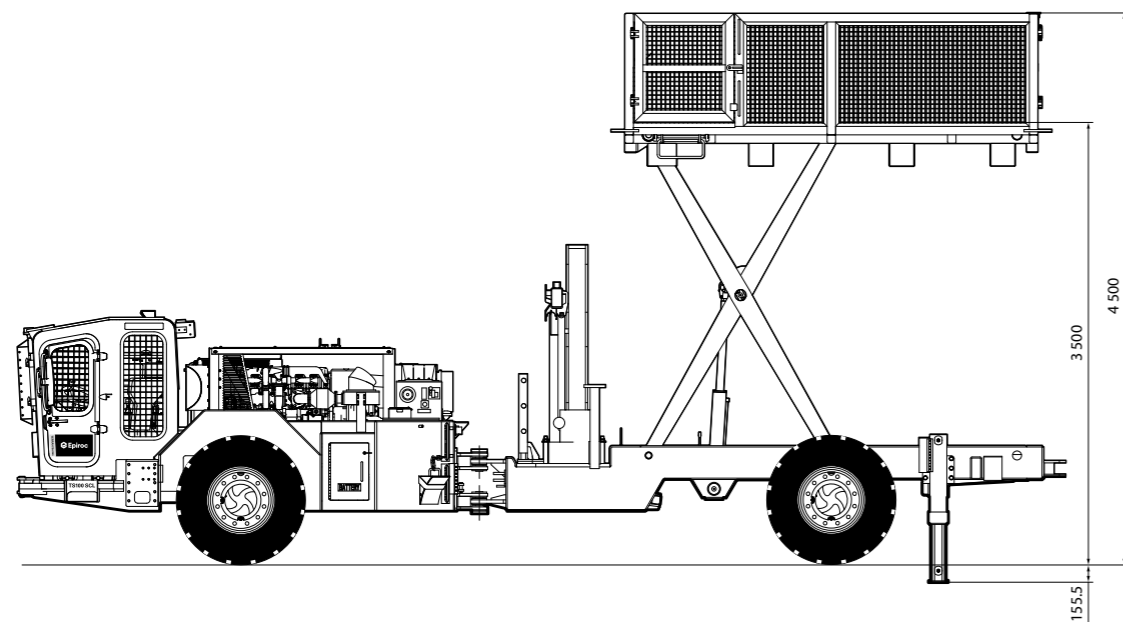
## Technical specifications

### Measurements

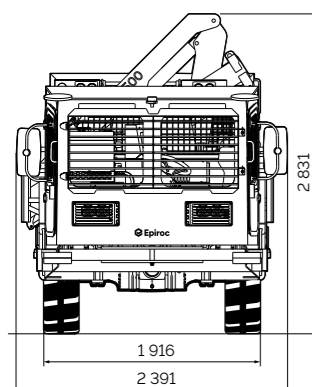
The dimensional drawings are shown in millimeters, and based on the standard vehicle configuration fitted with the optional crane.



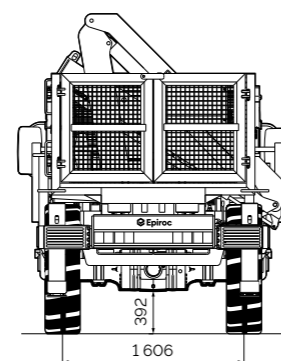
Left side view of Terrah TS100 SCL



Left side view of Terrah TS100 SCL

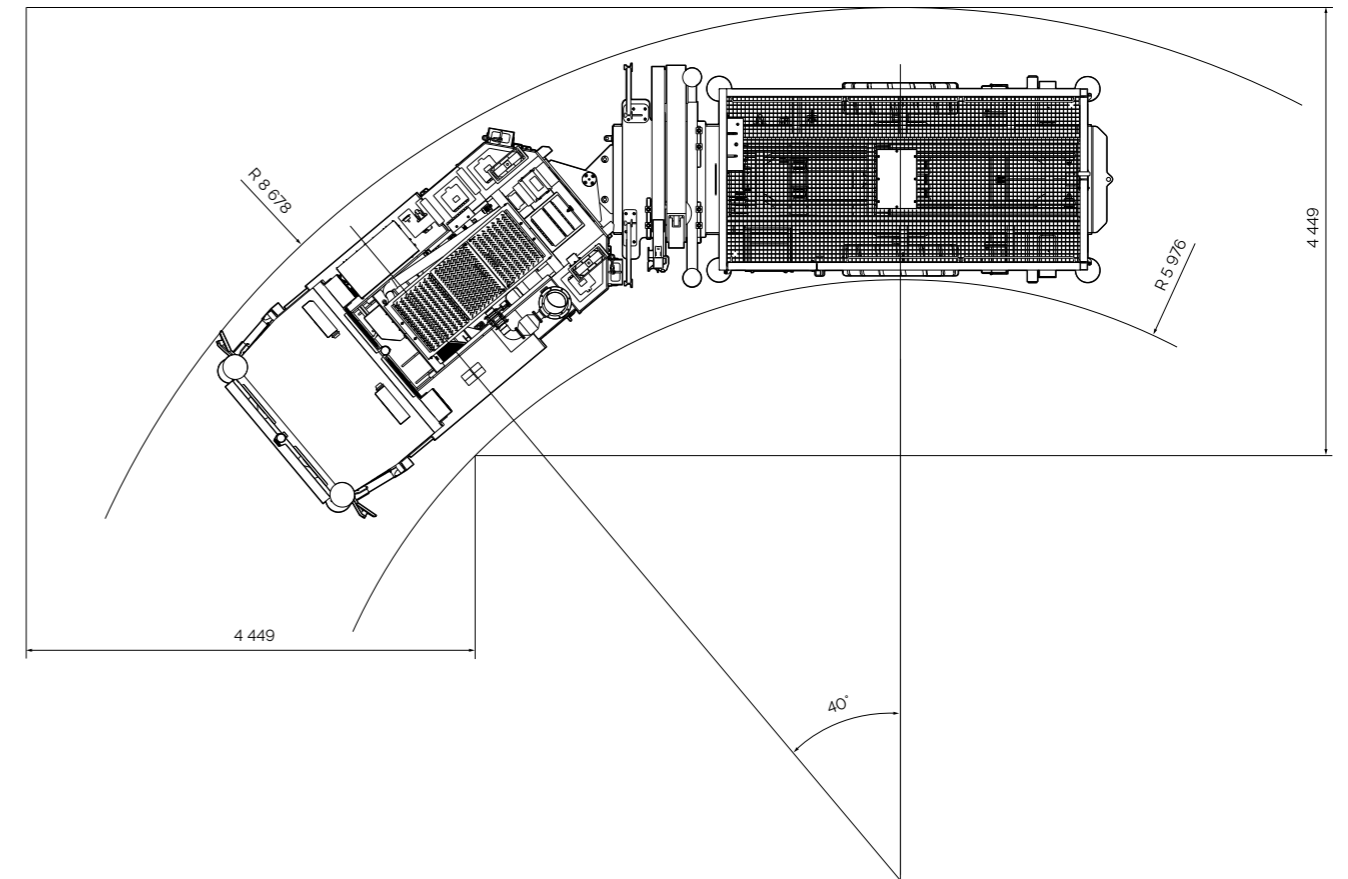


Front view of Terrah TS100 SCL



Rear view of Terrah TS100 SCL

## Technical specifications



Terrah TS100 SCL turning radius.

## A comprehensive service offering

Even the best equipment needs to be serviced regularly to make sure it sustains peak performance. An Epiroc service solution offers peace of mind, maximizing availability and performance throughout the lifetime of your equipment. We focus on safety, productivity and reliability.

By combining genuine parts and an Epiroc service from our certified technicians, we safeguard your productivity - wherever you are.



# United in performance. Inspired by innovation.

Performance unites us, innovation inspires us, and commitment drives us to keep moving forward. Count on Epiroc to deliver the solutions you need to succeed today and the technology to lead tomorrow.  
**[epiroc.com](https://www.epiroc.com)**

